

Rhino Parts List

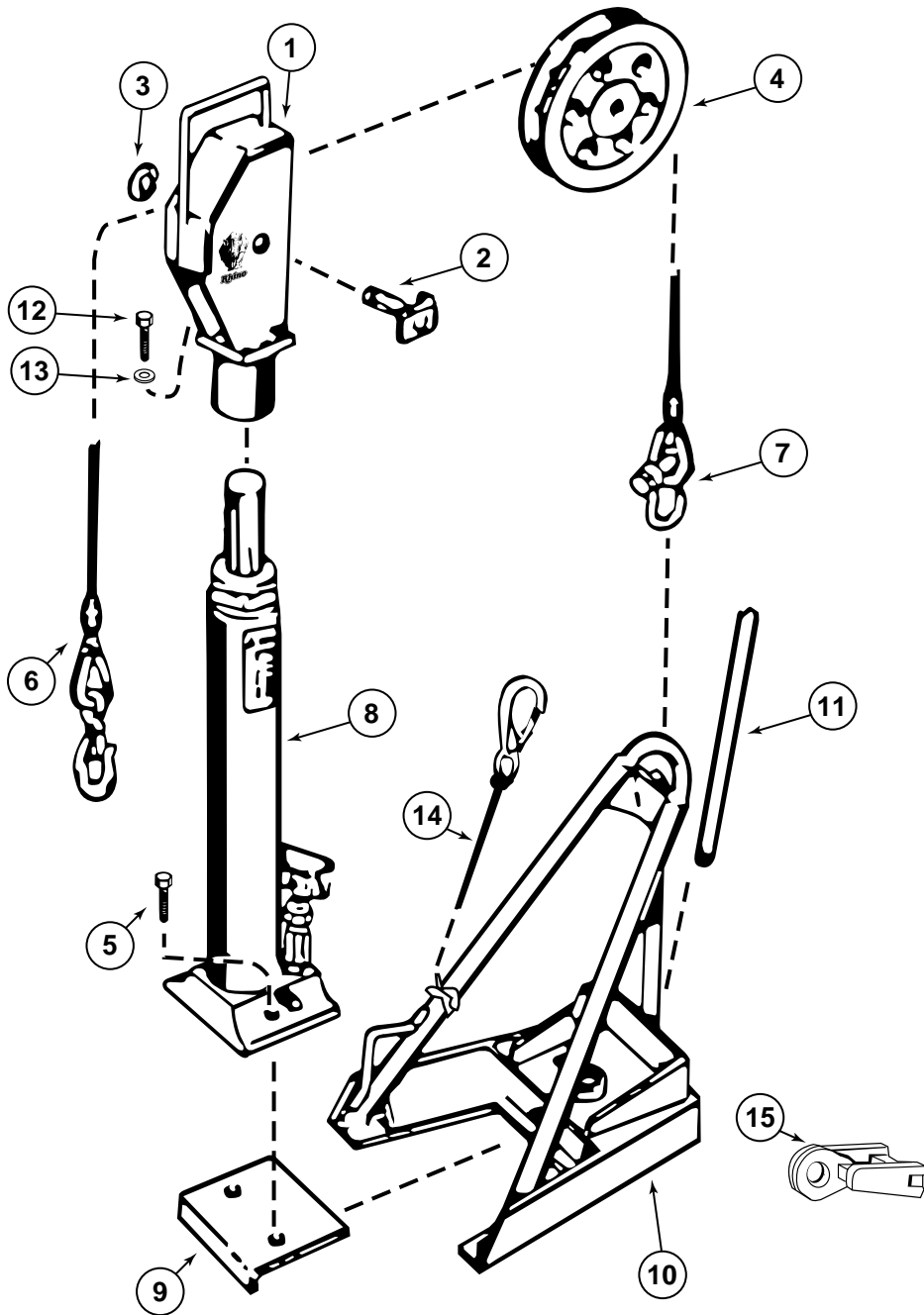
PL-3 Hydraulic Post Puller & Accessories

NO.	DESCRIPTION	PART NO.	NO. REQUIRED
	PL-3 Hydraulic Post Puller	71000	
1	Pulley Mount	70173	1
2	Pulley Pin	70439	1
3	Retaining Ring	531001	1
4	Pulley	602026	1
5	Cap Screw	500182	2
6	Cable Assembly	220399	1
7	Anchor Shackle	220400	1
8	Hydraulic Pump/Cylinder Assembly	70445	1
9	Mounting Plate	70440	1
10	Base	70446	1
11	Handle	70416	1
12	Cap Screw	500041	1
13	Lock Washer	517801	1
14	Safety Restraint	220401	1
15	Post Grabber	71040	1



Rhino[®] Exploded View

PL-3 Hydraulic Post Puller & Accessories



Rhino Tool Company • 620 Andrews Ave., PO Box 111 • Kewanee, IL 61443 • www.rhinotool.com • Tel: 309-853-5555 • Fax: 309-856-5905

Rhino Tool Company has a policy of continuous product improvement and reserves the right to change specifications, designs, or prices at any time without notice or incurring obligations for said changes.

Rhino and  are registered trademarks of Rhino Tool Company. © Copyright 2002 Rhino Tool Company

Printed in U.S.A.

Form 123 - 1/02