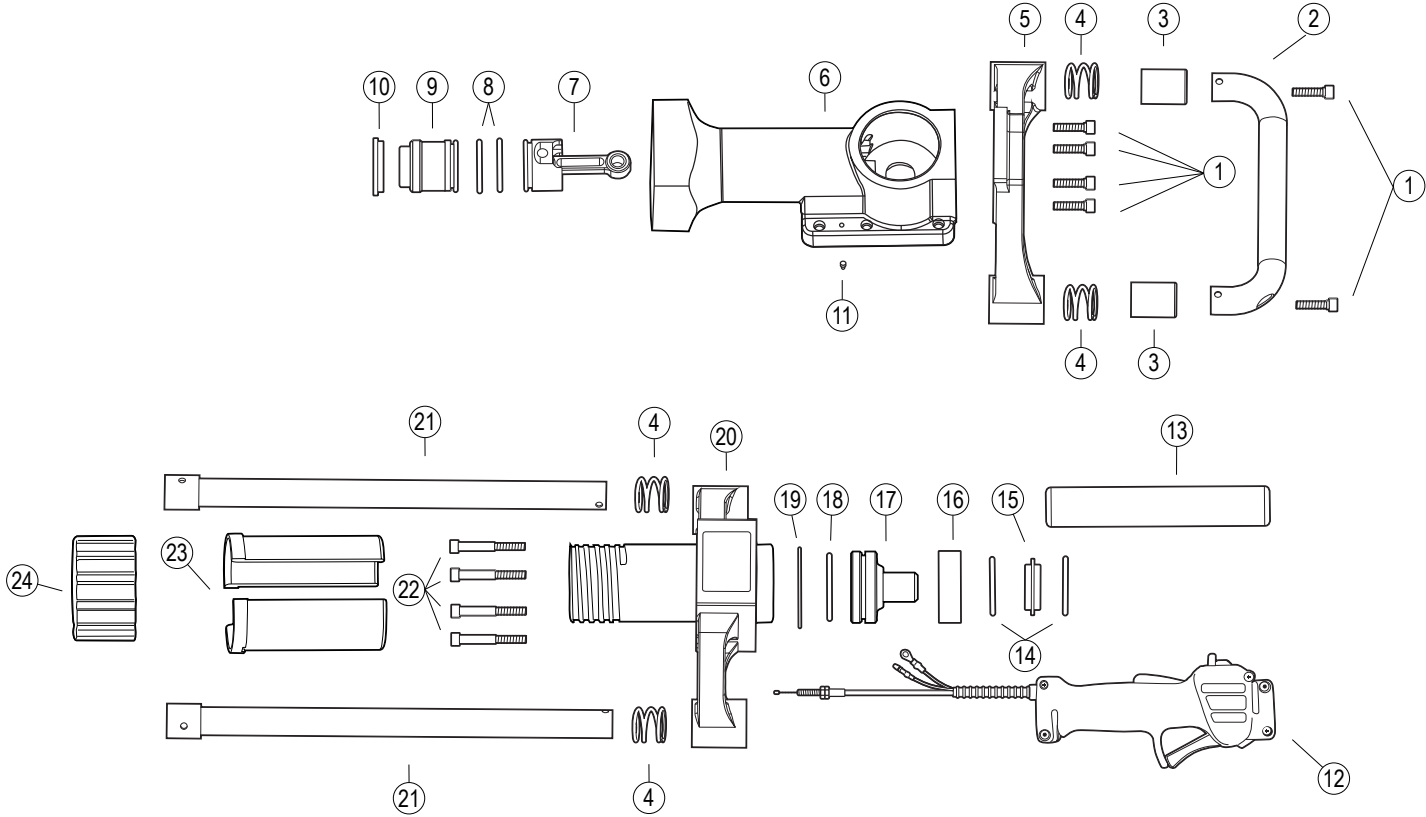


Fence Pro™ Parts List



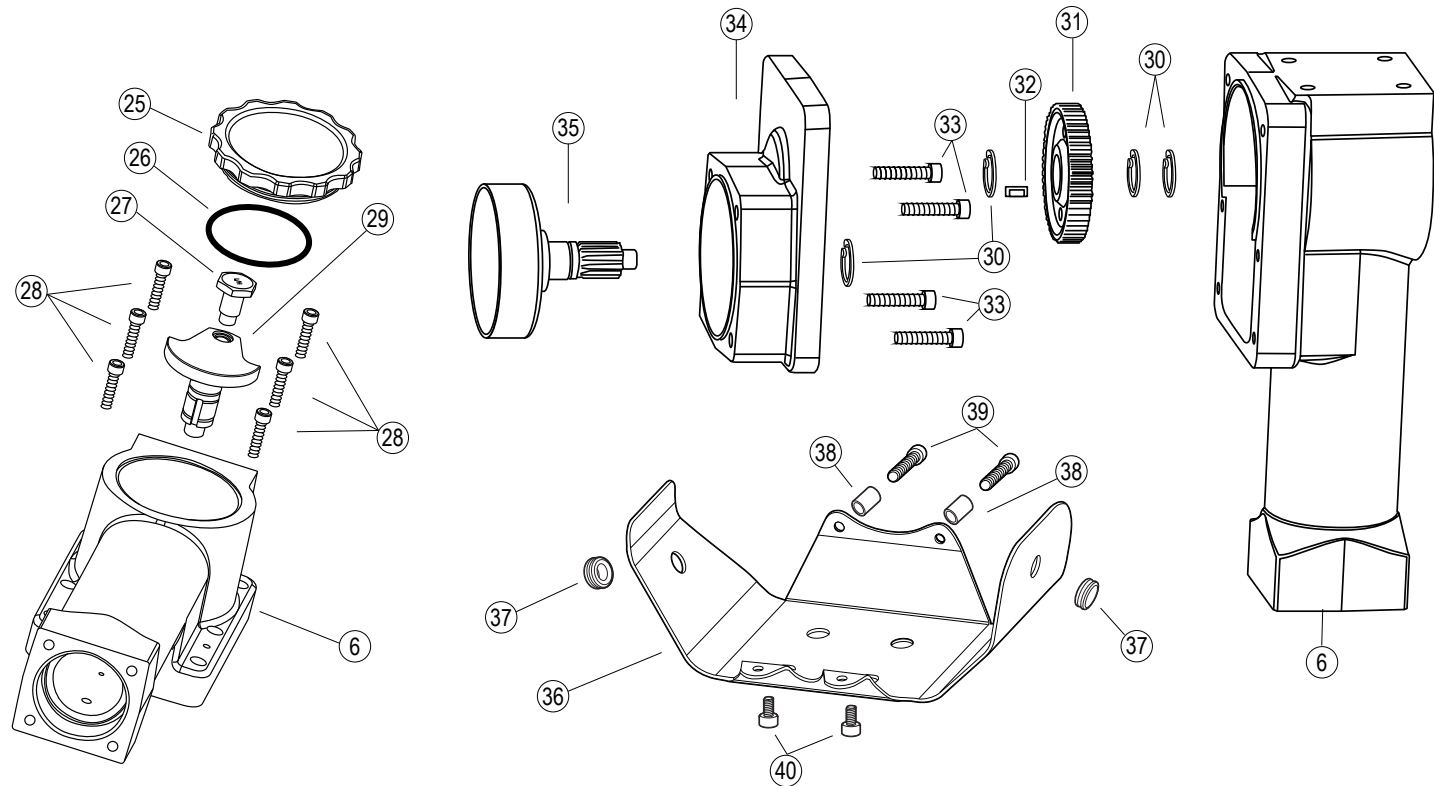
Rhino® Fence Pro™ Parts List ...continued



No.	P/N	Description
1	300715	Top Handle Bolt (6 Qty.)
2	301222	Top Handle
3	301221-2	Handle Cup (2 Qty.)
4	610010-4	Handle Anti-Vibration Spring (4 Qty.)
5	300214	Top Handle Bracket
6	301015	Post Driver Body with Cylinder and Bearings
7	301075	Piston and Connecting Rod Assembly
8	301610-2	Piston O-ring Seal and Hammer O-ring Seal (2 Qty.)
9	301080	Hammer
10	301110	Anvil O-ring Retainer
11	300712	Ground Bolt
12	300250	Throttle Control Assembly

No.	P/N	Description
13	300221	EPDM Handle Grip
14	301614-2	Large Retainer O-ring Seal (2 Qty.)
15	301100	Large Retainer
16	301090	Anvil O-ring Cup
17	301160	Anvil
18	301616	Anvil O-ring
19	301618	Chuck Tube O-ring Seal
20	301034	Lower Body and Chuck Assembly
21	301232	Handle (2)
22	300702-4	Lower Body Bolts Set
23	300902	Rhino® Chuck-Lok™ System 2" Adapter (1 per driver)
24	301920	Rhino® Chuck-Lok™ System Locking Nut

Rhino® Fence Pro™ Parts List ...continued



Rhino® Fence Pro™ Driver Parts List ...continued

No.	P/N	Description
6	301015	Post Driver Body with Cylinder and Bearings
25	300132	Crankcase Cover
26	301617	Crankcase Cover O-ring Seal
27	300050	Crank Pin
28	300704-6	Crankcase Bolts (6 per driver)
29	300040	Crankshaft
30	300782-4	Retaining Ring for Crankshaft & Clutch Drum with Pinion Gear (4 per driver)
31	300200	Gear
32	300730	Key
33	300700-4	Clutch Housing Bolts (4 per driver)
34	300025	Clutch Housing with Bearings
35	300120	Clutch Drum with Pinion Gear
36	300180	Shroud
37	300181-2	Grommet (2 per driver)
38	300190-2	Shroud Spacer (2 per driver)
39	300706-2	Shroud Bolt (2 per driver)
40	300707-2	Lower Shroud Bolt (2 per driver)
	300240	Honda GX35 Engine
		Honda Engine Parts are Available from Your Local Honda Dealer
	301800	GPD-40 Fence Pro™ Owner's Manual
	300805	Safety Label and Tag Set

No.	P/N	Description
Accessories		
23	300902	Rhino® Chuck-Lok™ System 2" (50.8mm) Adapter (1 per driver)
	300895	Rhino® Chuck-Lok™ System 1-3/4" (44.4mm) Adapter
	300900	Rhino® Chuck-Lok™ System 1" (25.4mm) Adapter
24	301920	Rhino® Chuck-Lok™ Locking Nut (1 per driver)
	301233	Lower Handle Assembly (optional)
	301152	Fence Pro™ Short Euro Stake Chuck Tube
	301000	¼" Long Arm Hex Key (1 per driver)
	300500	Rhino® Pro Series Grease
	301505	Service Kit for Fence Pro™
Bolt Torque Specifications		
1	300710-6	Top Handle Bolts (6 per driver) - 132.0 in/lbs (14.91 Nm)
22	300702-4	Lower Body Bolts (4 Qty.)- 132.0 in/lbs (14.91 Nm)
27	300050	Crank Pin (Left Hand Threads)- 360.0 in/lbs (40.6 Nm)
28	300704-6	Crankcase Bolts (6 per driver) 75.0 in/lbs (8.5 Nm)
33	300700-4	Clutch Housing Bolts (4 per driver)- 95.0 in/lbs (10.73 Nm)
39	300706-2	Shroud Bolt (2 per driver)- 56.4 in/lbs (6.37 Nm)
40	300707-2	Lower Shroud Bolt (2 per driver)- 56.4 in/lbs (6.37 Nm)