



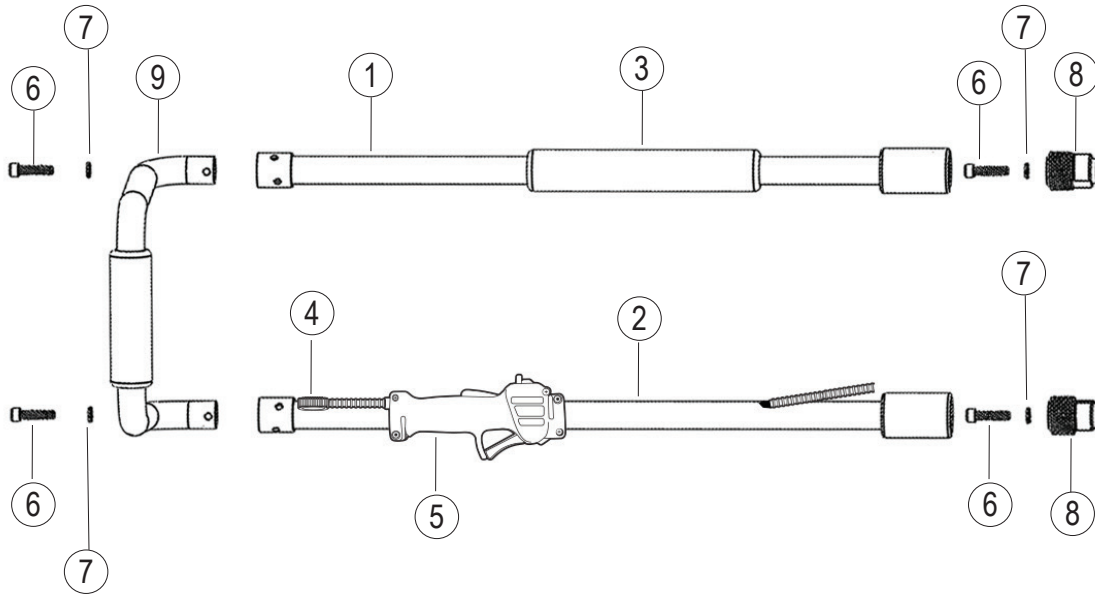
# Pro Series<sup>TM</sup> Extended Handles

## OWNERS MANUAL

MODELS: 301250 / 301252



# RHINO® EXTENDED HANDLE PARTS LIST



# RHINO® EXTENDED HANDLE PARTS LIST

No.	P/N	Description
<b>INCLUDED WITH EXTENDED HANDLES</b>		
1	301259	GPD Extended Handle - 24"
2	301267	GPD Extended Handle - Slotted 24"
	301260	GPD Extended Handle - 54"
	301261	GPD Extended Handle - Slotted 54"
3	300221	8" (203 mm) EPDM Foam Grip (1 per kit)
4	301268	Extended Handle Cable Thimble
5	301262	Throttle Control Assembly for 2' Extended Handle
	301264	Throttle Control Assembly for 4 1/2" Extended Handle
	301275	Extended Handle Warning Label- Protection
	301276	Extended Handle Warning Label - Balance
	301277	Extended Handle Installation Instructions
	995032-3	6" Cable Tie (3 per kit)
	301270	Extended Handle Hardware Kit

No.	P/N	Description
<b>301270 INCLUDED WITH EXTENDED HANDLE HARDWARE KIT</b>		
6	300715-4	Bolt (4 per kit)
7	300750-4	Multi-Pro Lock Washer (4 per kit)
8	301255-2	Extended Handle Adapter (2 per kit)

No.	P/N	Bolt Torque Specifications
3	300715-4	Bolt (4 per driver) - 132.0 in/lbs (14.91 Nm)

No.	P/N	Description
<b>OPTIONAL PARTS</b>		
9	301233	Lower Handle Assembly*
		<i>*Only needed if your Pro-Series Model does not have a lower handle.</i>

# Rhino® Limited Lifetime Impact Warranty Gasoline Powered Post Drivers



**Warranty:** Rhino Tool Company, Inc. (“Rhino”) warrants to the original purchaser, purchasing the Equipment in new condition, in original packaging from an authorized dealer that its Gasoline Powered Post Driver will be free from defects in workmanship and materials (the “Limited Warranty”). The Limited Warranty shall survive for the lifetime

of the product with respect to the Hammer and Anvil components and for twelve (12) months with regard to all other components, excluding the Honda GX35 engine for which Rhino provides no warranty and for which the warranty provided by American Honda Motor Co., Inc. shall be the sole warranty applicable thereto. This Limited Warranty is non-transferable.

For Warranty Claims contact your dealer or distributor. Proof of purchase date and serial number is required. In the event of a warranty repair, the post driver should be returned to a Registered and Warranty Authorized Rhino Servicing Dealer. Rhino’s obligation under this Limited Warranty is expressly limited to the repair or replacement, at Rhino’s election, of such defective Gasoline Powered Post Driver, which is proved to be defective upon inspection by a Rhino-certified/authorized technician.

This Limited Warranty does not extend to a Gasoline Powered Post Driver which has been subject to misuse, neglect, or accident, nor does it extend to any Gasoline Powered Post Driver which has been repaired, altered, or serviced by unauthorized persons. This Limited Warranty does not cover any damage or adjustments required to any Gasoline Powered Post Driver if such damage or adjustment is caused by the use of supplies, parts, or attachments not sold or approved by Rhino

**EXCEPT AS OTHERWISE PROVIDED HEREIN, RHINO DISCLAIMS ALL OTHER WARRANTIES, EXPRESS OR IMPLIED, INCLUDING, BUT NOT LIMITED TO THE IMPLIED WARRANTIES OF MERCHANTABILITY AND FITNESS FOR A PARTICULAR PURPOSE. UNDER NO CIRCUMSTANCES SHALL RHINO BE LIABLE FOR ANY LOSS OF BUSINESS, REVENUES, OR PROFIT OR OTHER INDIRECT, INCIDENTAL, SPECIAL OR CONSEQUENTIAL DAMAGES OR LOSS ARISING OUT OF ANY DEFECTS IN OR PERFORMANCE OF THE GASOLINE POWERED POST DRIVER, HOWSOEVER CAUSED.**

***To register your product:***

Fill out and mail in registration card supplied with post driver

***Or online visit:***

<http://rhinotool.com/contact-support/warranty-information/>



A TRADITION OF QUALITY AND SERVICE SINCE 1975

[WWW.RHINOTOOL.COM](http://WWW.RHINOTOOL.COM)

Form 301277.103117

Rhino Tool Company, Inc. | P.O. Box 111 | Kewanee, IL 61443 | 309.853.5555 | 866-707-1808