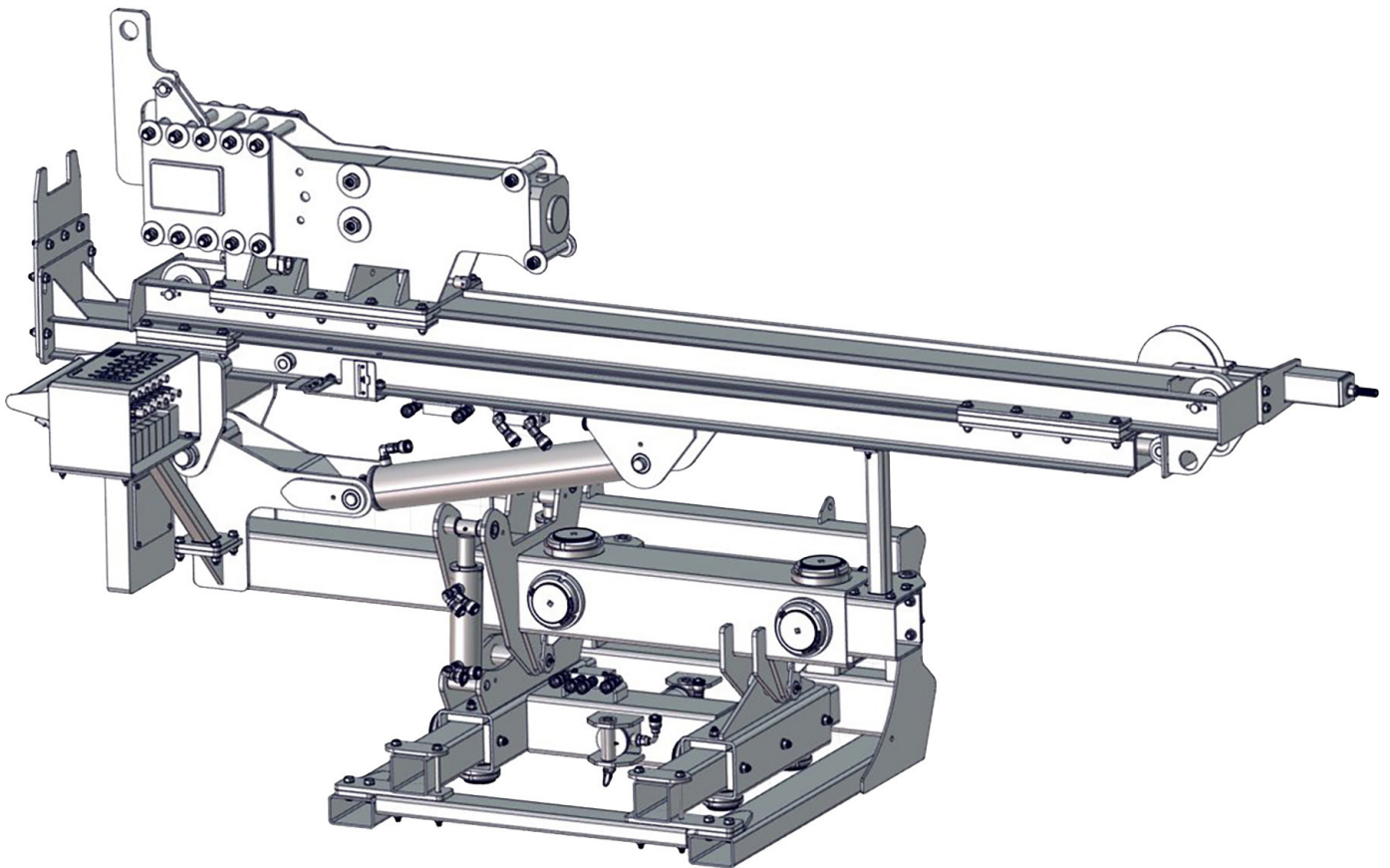




# Rhino Solar Pro - Omni Adjustable Skidsteer Mounted Pile Driver

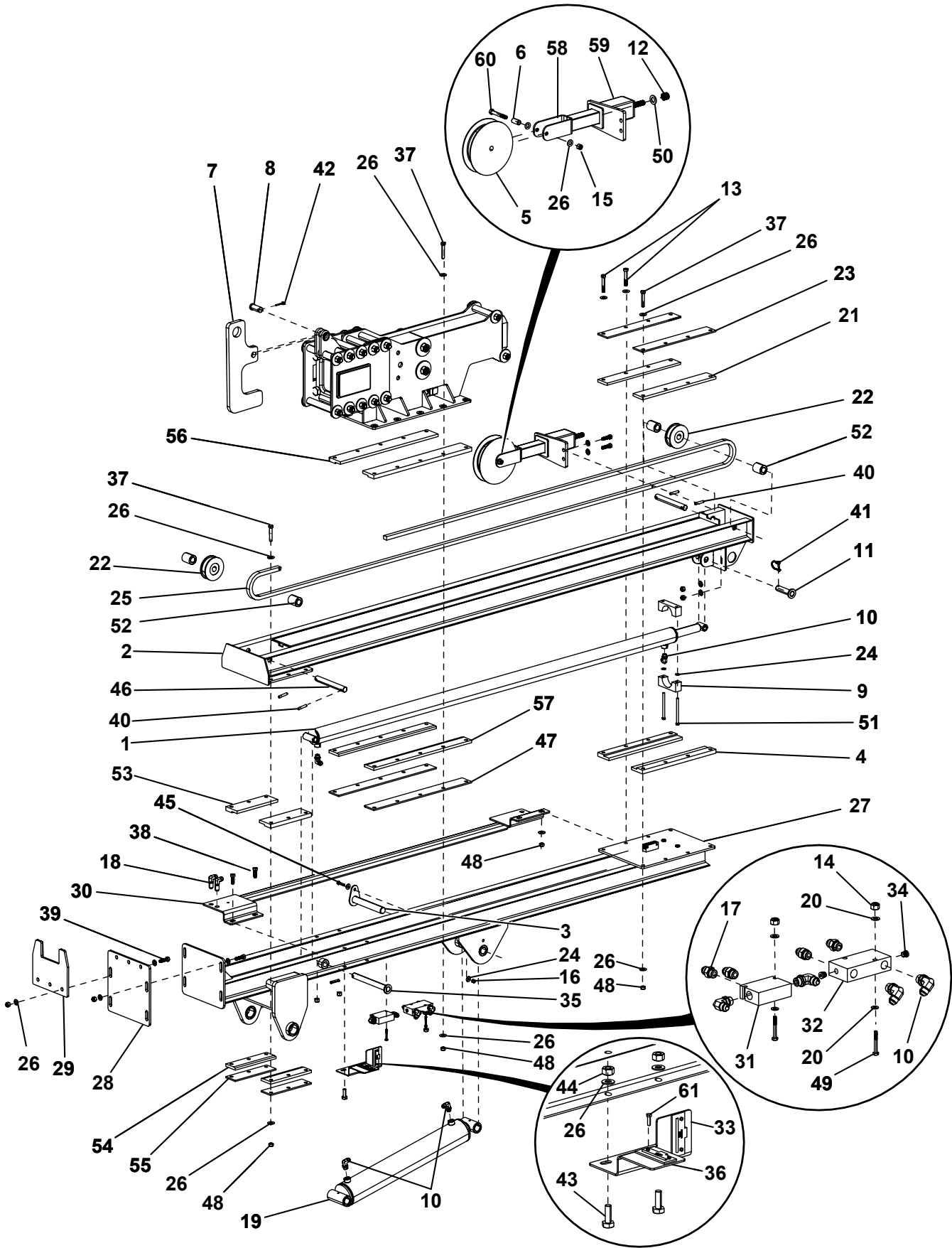


## Operation And Parts Manual

# Parts

## 10. Parts

### 10.1 MAST

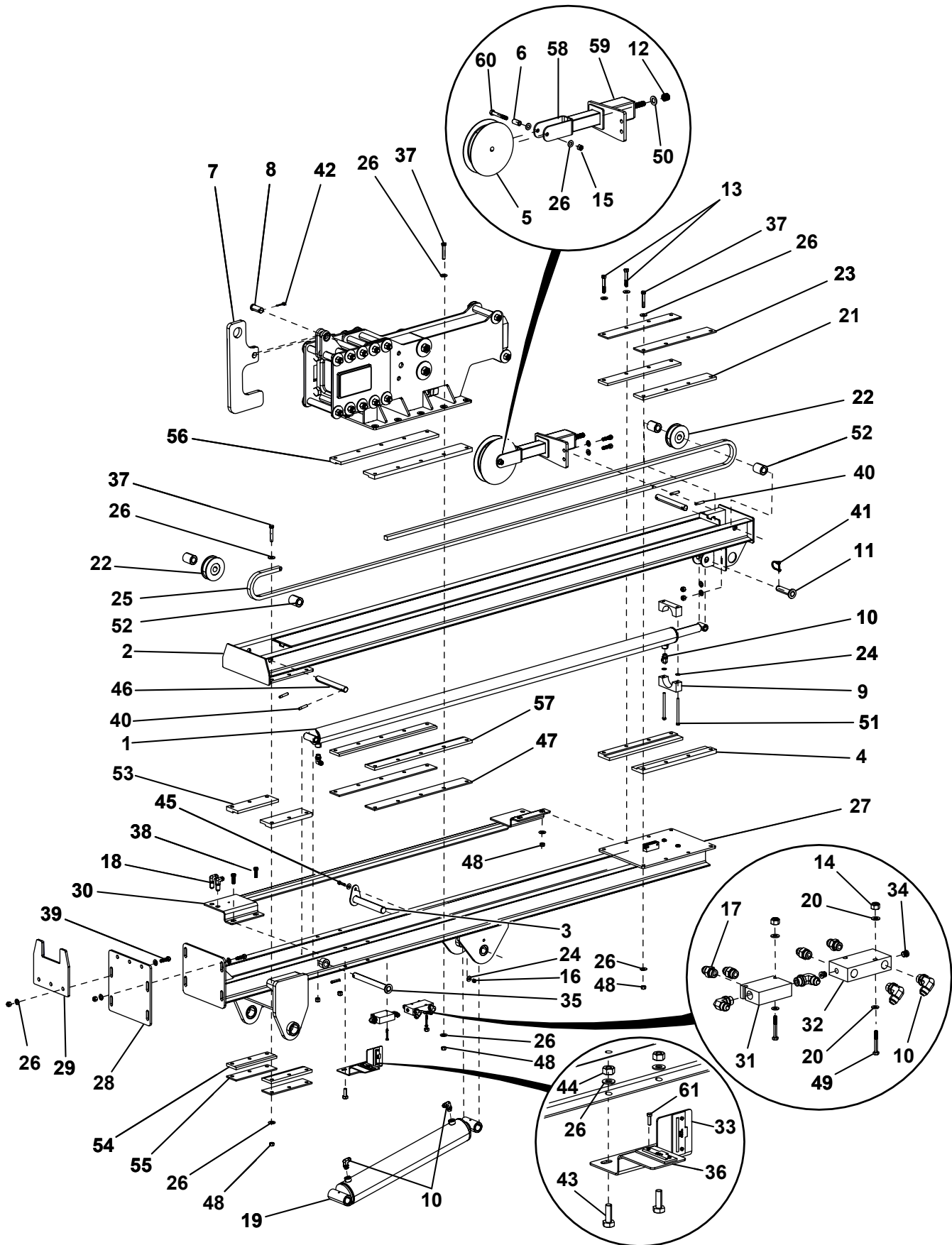


# Parts

Item	Part Number	Description	Qty
1	360191	Cylinder, Mast Extension	1
2	360079	Frame Weldment	1
3	360096	Pin	1
4	360110	Wear Slide - Notched	2
5	360167	Pulley	1
6	360168	Bushing	1
7	360174	Plate - Puller	1
8	360175	Pin	1
9	360228	Cylinder Mount	2
10	360233	Hydraulic Fitting	8
11	360242	Pin	1
12	504011	Lock Nut	1
13	504019	Hex Bolt	2
14	518802	Locknut	4
15	518806	Locknut	1
16	504005	Flat Washer	2
17	360234	Hydraulic Fitting	4
18	360235	Hydraulic Fitting	2
19	360194	Cylinder	1
20	504022	Flat Washer	8
21	360111	Wear Slide - Chamfered	2
22	360128	Pulley	2
23	360112	Plate	2
24	504005	Flat Washer	2
25	360145	Chain	2
26	504000	Flat Washer	62
27	360067	Frame Weldment	1
28	360153	Plate	1
29	360154	Plate	1
30	360187	Hose Guide Weldment	1
31	360201	Valve	1
32	360202	Valve	1
33	360253	Level Bubble	2
34	360237	Plug	2
35	360243	Pin	1
36	360252	Bracket	1
37	504003	Hex Bolt	22
38	500178	Hex Bolt	2
39	500180	Hex Bolt	8
40	551302	Spring Pin	5
41	995335	Steel Pin With Wire Lock	1
42	360244	Pin	1
43	500178	Hex Bolt	2
44	518806	Hex Nut	2
45	500010	Hex Bolt	1

# Parts

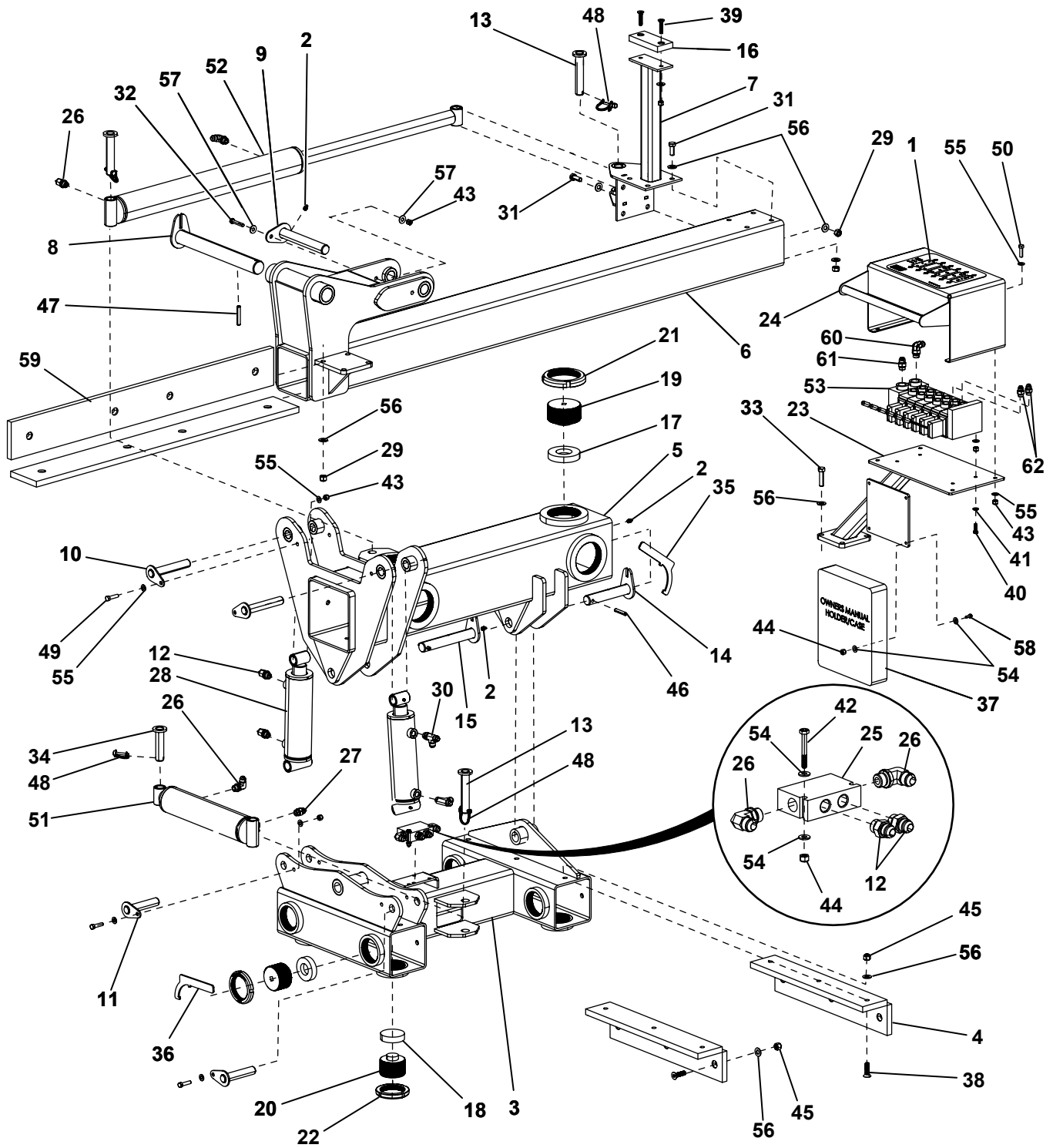
## MAST, CONTINUED





# Parts

## 10.2 CENTER SECTION

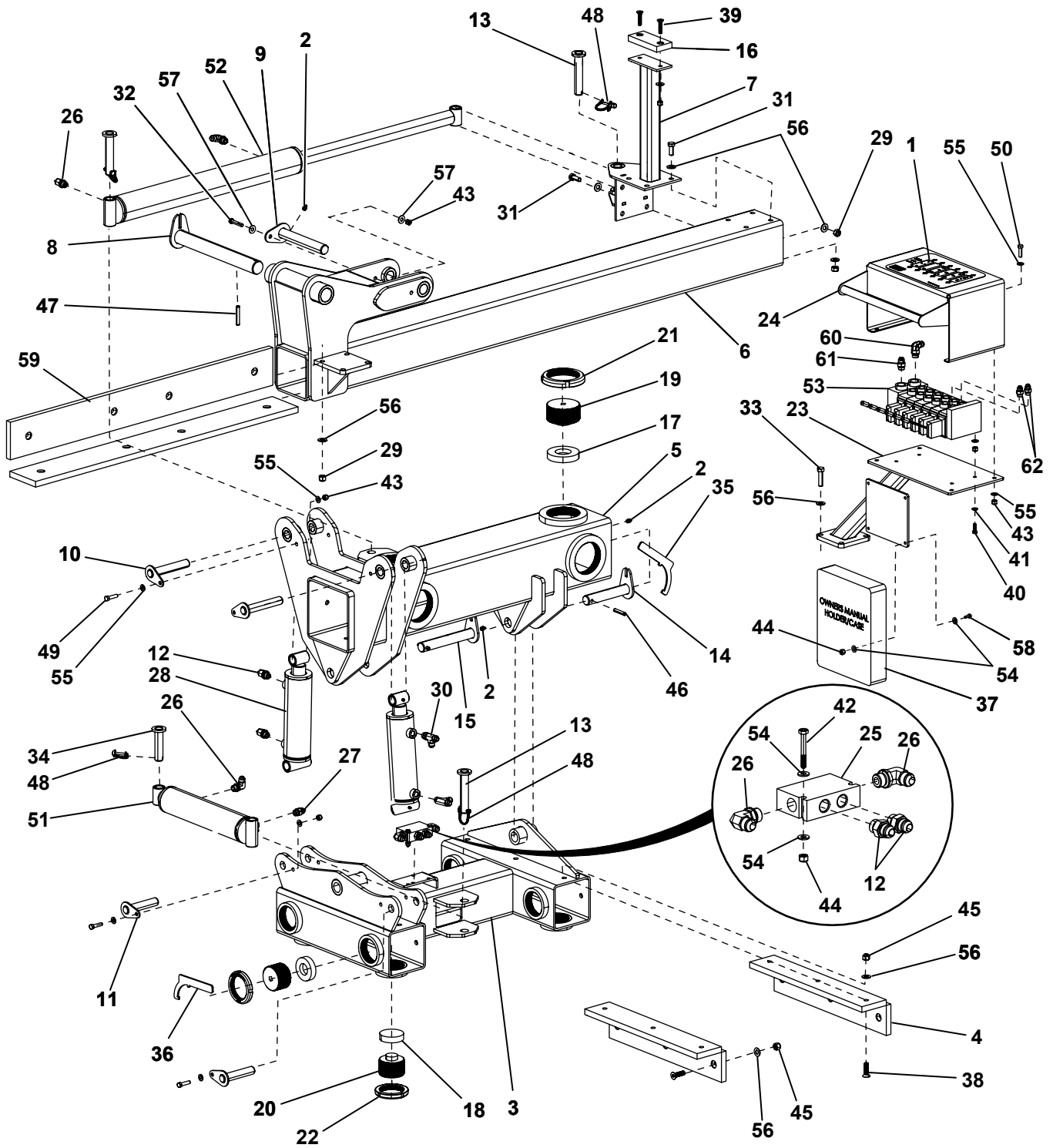


# Parts

Item	Part Number	Description	Qty
1	000600	Decal	1
2	504023	Grease Fitting	3
3	360032	Frame Weldment	1
4	360040	Wear Slide	4
5	360050	Frame Weldment	1
6	360052	Frame Weldment	1
7	360060	Stop Weldment	1
8	360093	Pin	1
9	360096	Pin	1
10	360099	Pin	2
11	360102	Pin	2
12	360234	Hydraulic Fitting	2
13	360241	Pin	3
14	360104	Pin	1
15	360107	Pin	1
16	360109	Wear Pad	1
17	360119	Wear Puck	4
18	360120	Wear Puck	8
19	360121	Adjusting Shaft	4
20	360122	Adjusting Shaft	8
21	360123	Nut - Locking	4
22	360124	Nut - Locking	8
23	360147	Weldment - Control Box Mount	1
24	360190	Weldment - Control Box	1
25	360203	Valve	1
26	360233	Hydraulic Fitting	7
27	360234	Hydraulic Fitting	1
28	360195	Cylinder	2
29	518806	Hex Nut	8
30	360238	Hydraulic Fitting	2
31	500007	Hex Bolt	8
32	504001	Hex Bolt	1
33	500029	Hex Bolt	4
34	360242	Pin	1
35	360254	Spanner Wrench	1
36	360255	Spanner Wrench	1
37	360257	Manual Storage Case	1
38	504004	Hex Bolt	11
39	504006	Screw	2
40	504017	Hex Bolt	4
41	504018	Flat Washer	4
42	504020	Hex Bolt	1
43	518801	Lock Nut	10
44	518802	Lock Nut	1

# Parts

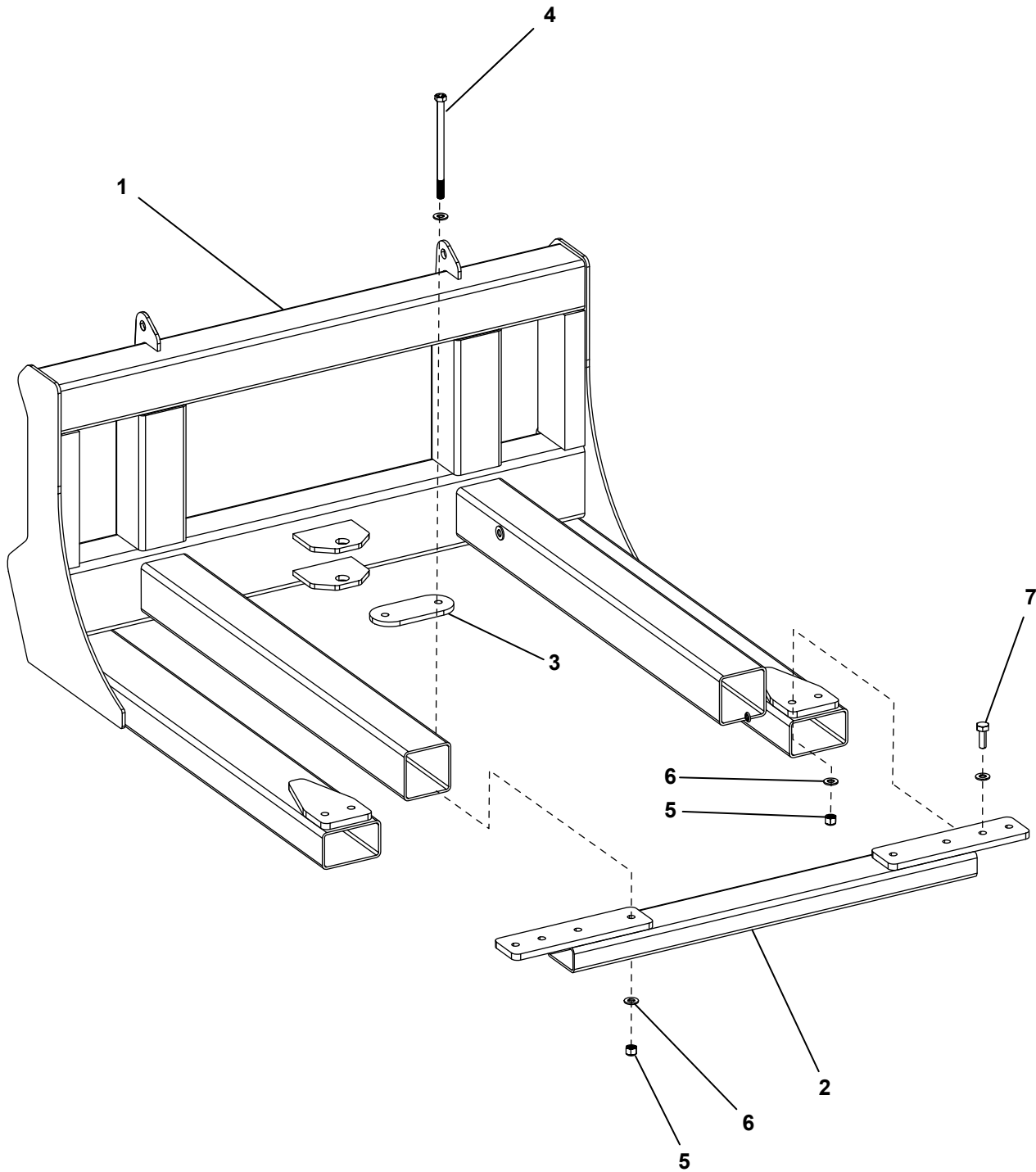
## CENTER SECTION, CONTINUED





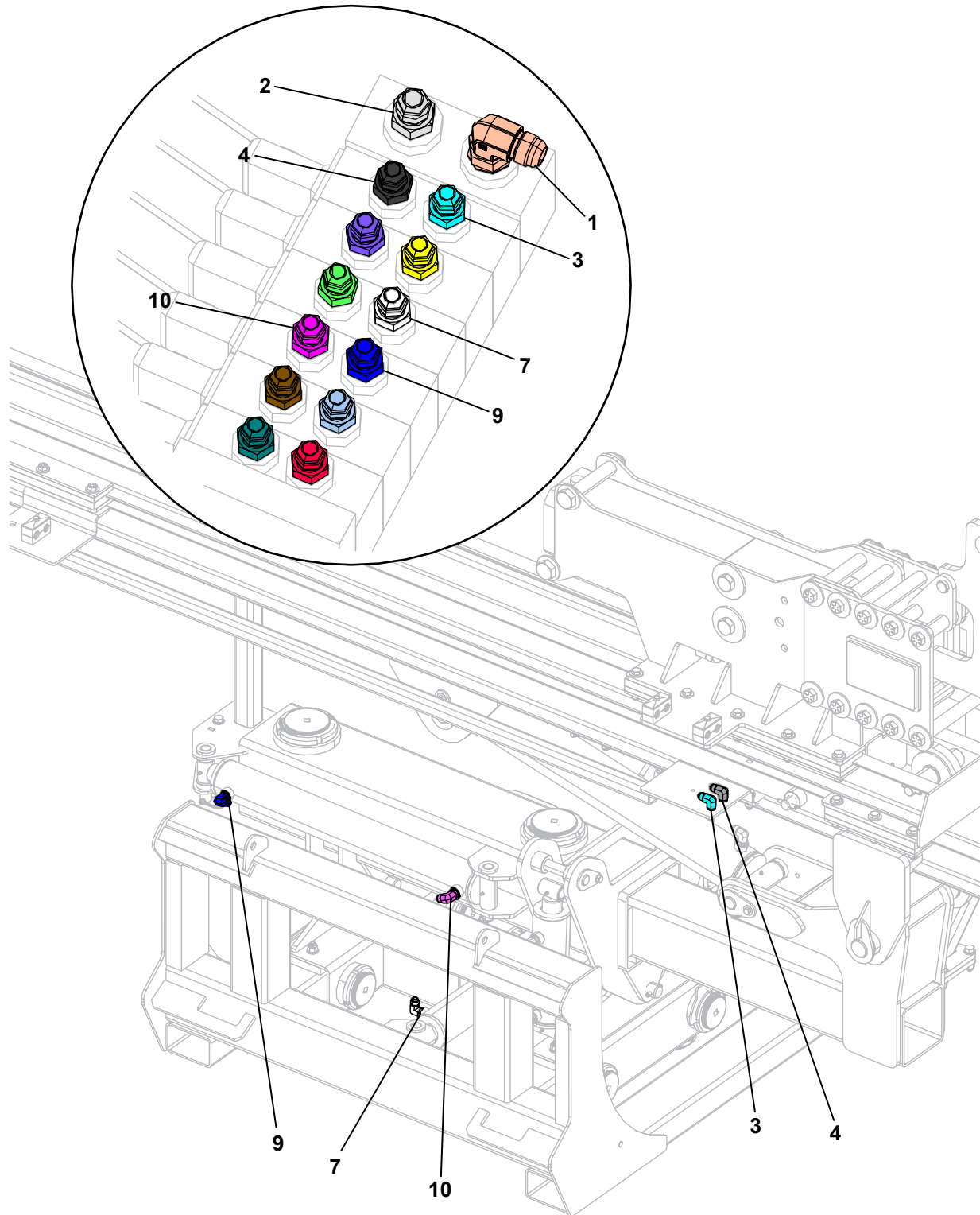


## 10.3 LOWER FRAME





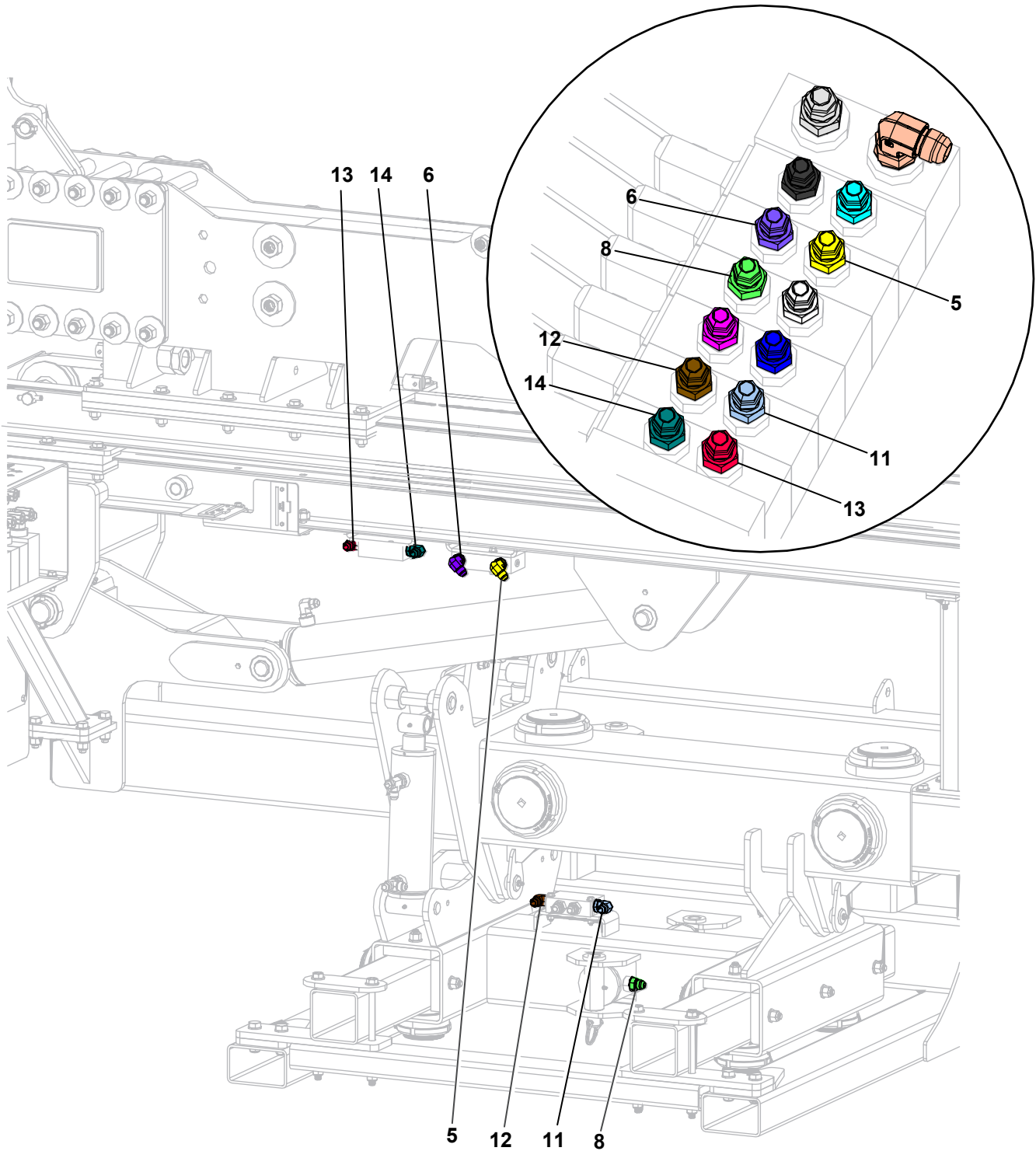
## 10.4 HYDRAULIC HOSES AND FITTINGS



**Note:** Item numbers are referring to hose assembly to and from connecting points.



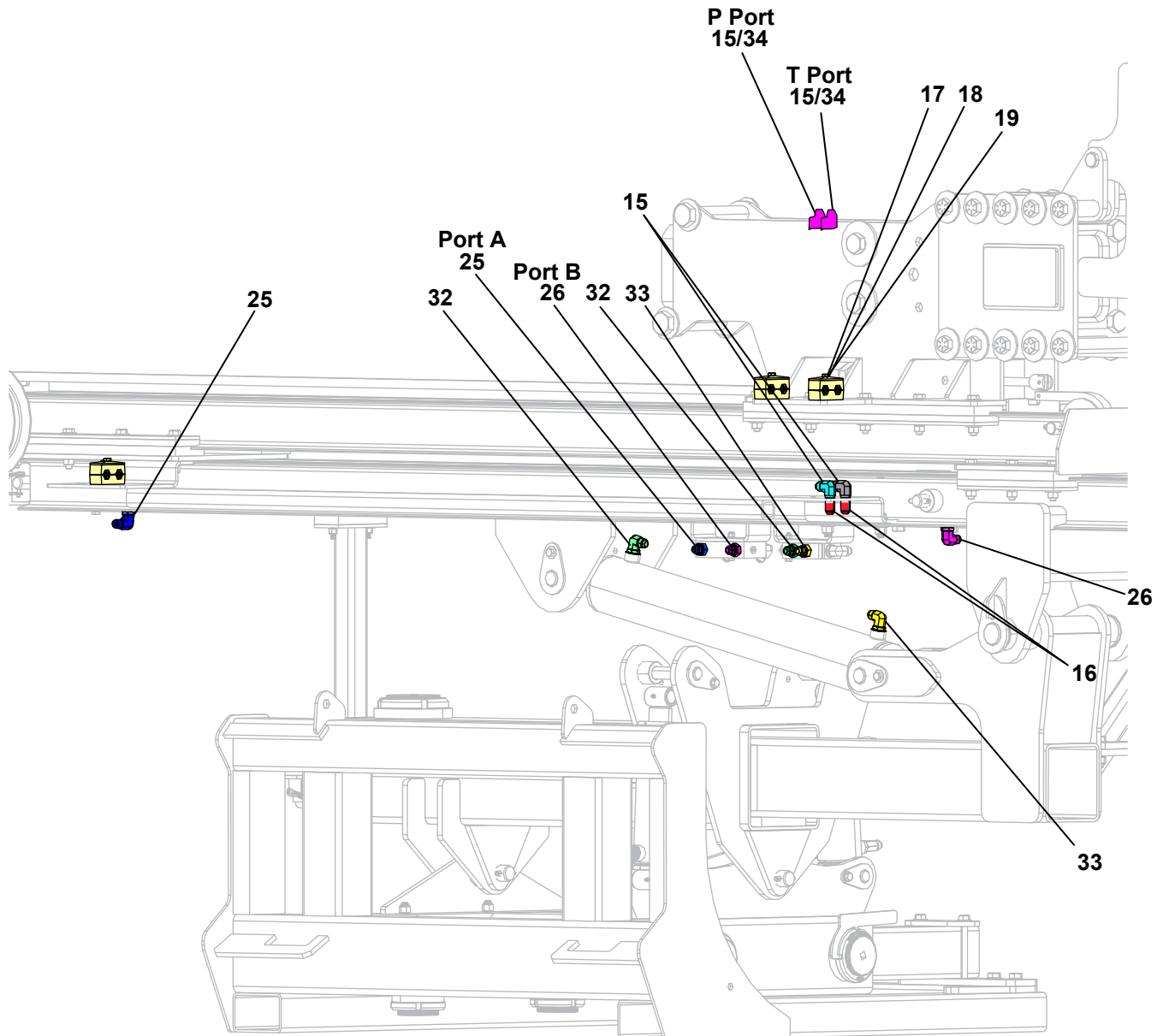
## HYDRAULIC HOSES AND FITTINGS, CONTINUED



**Note:** Item numbers are referring to hose assembly to and from connecting points.



## HYDRAULIC HOSES AND FITTINGS, CONTINUED

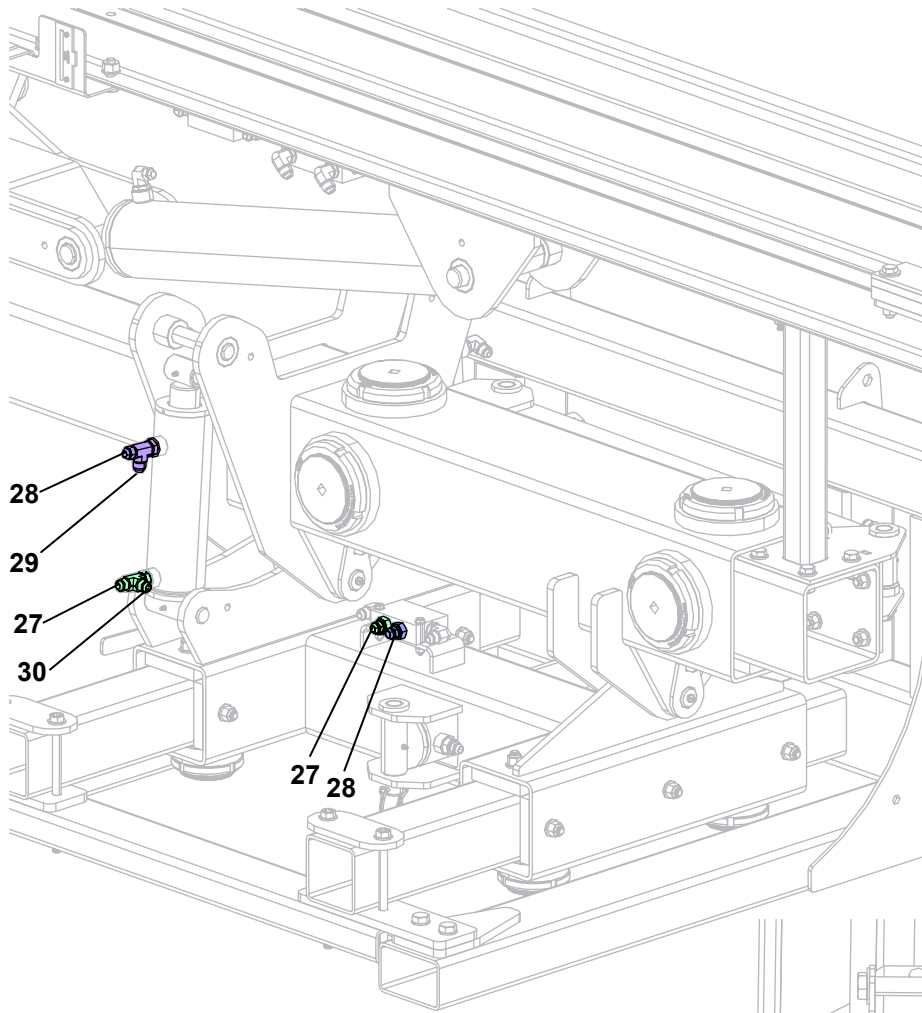


**Note:** Item numbers are referring to hose assembly to and from connecting points.



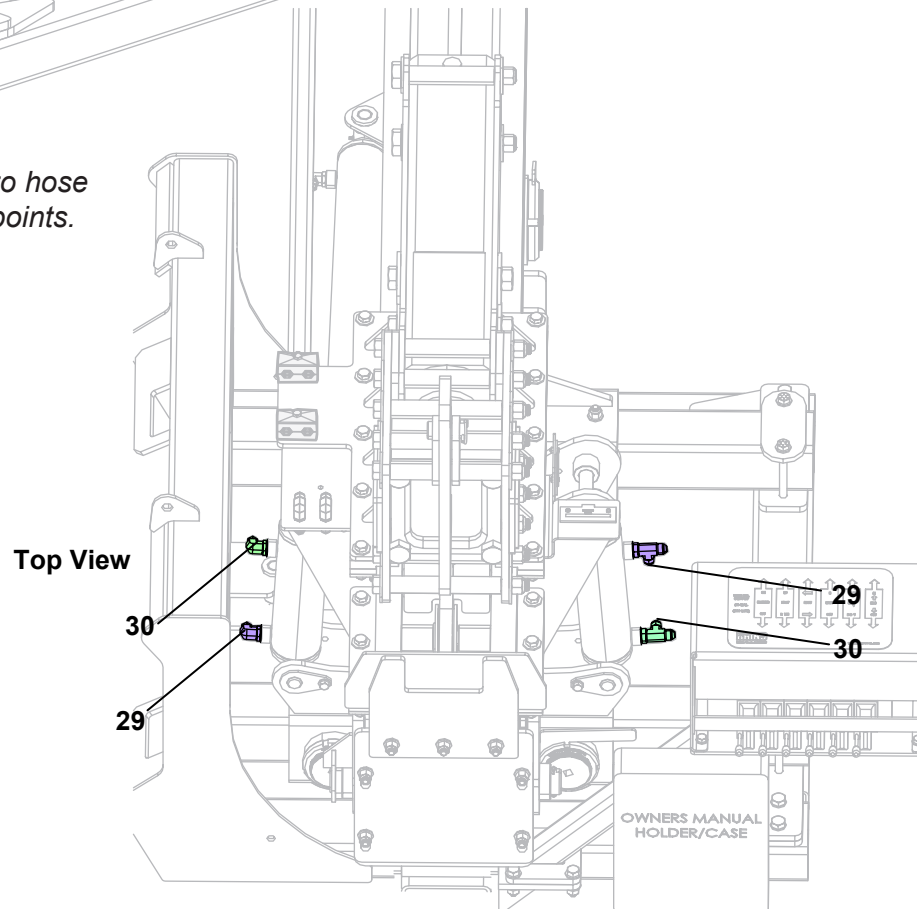


## HYDRAULIC HOSES AND FITTINGS, CONTINUED



Side View

**Note:** Item numbers are referring to hose assembly to and from connecting points.



Top View





**Rhino Tool Company**  
**1134 West South Street**  
**PO Box 111**  
**Kewanee, IL 61443**  
**309-853-5555**  
**[www.rhinotool.com](http://www.rhinotool.com)**

Revision: February 2021