

# PostMaster Drive Kit

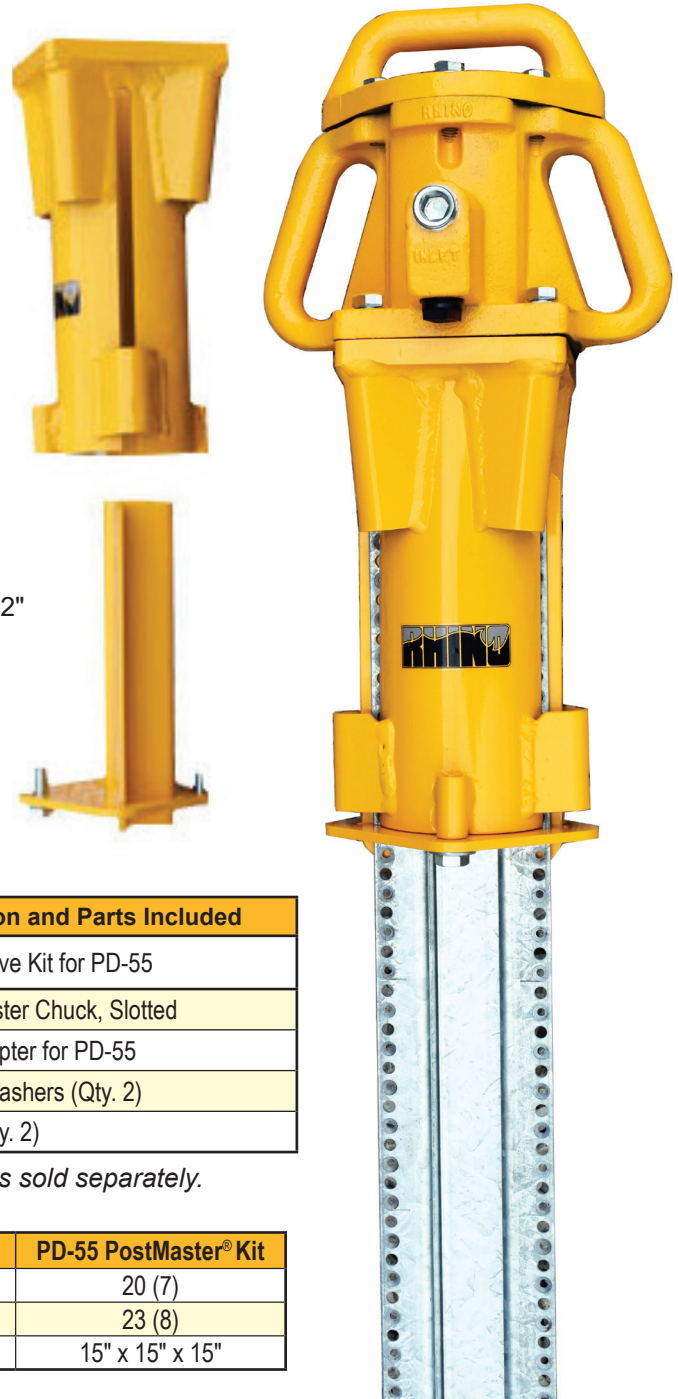
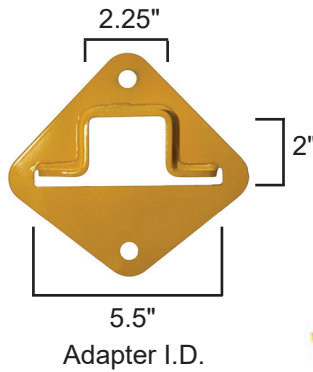
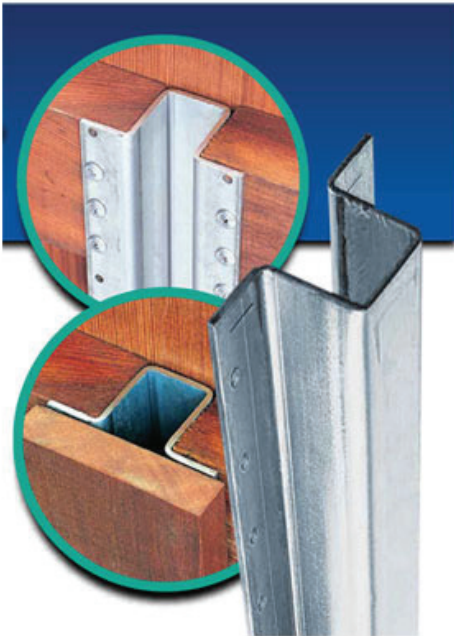
Chuck and Adapter for PD-55 Pneumatic Post Driver  
Part No. 070620



Pneumatic • Hydraulic • Gasoline  
Professional Grade Tools

The PostMaster® Drive Kit is made to adapt the Rhino PD-55 Post Driver to drive the Master Halco® PostMaster Plus® Series of Fence Posts. The kit includes a Post Master® Adapter and a PostMaster® Slotted Chuck.

For more information on Postmaster posts, visit [masterhalco.com](http://masterhalco.com)



Part No.	Description and Parts Included
070620	PostMaster® Drive Kit for PD-55
070589	PD-55 Post Master Chuck, Slotted
070677	PostMaster Adapter for PD-55
517702	Compression Washers (Qty. 2)
500007	Cap Screws (Qty. 2)

The PD-55 Post Driver is sold separately.

Specifications	PD-55 PostMaster® Kit
Wt. lb (kg)	20 (7)
Ship Wt. lb (kg)	23 (8)
Ship Dimensions (LxWxH)	15" x 15" x 15"



A Tradition of Quality and Service Since 1975



[www.rhinotool.com](http://www.rhinotool.com)  
 866-707-1808