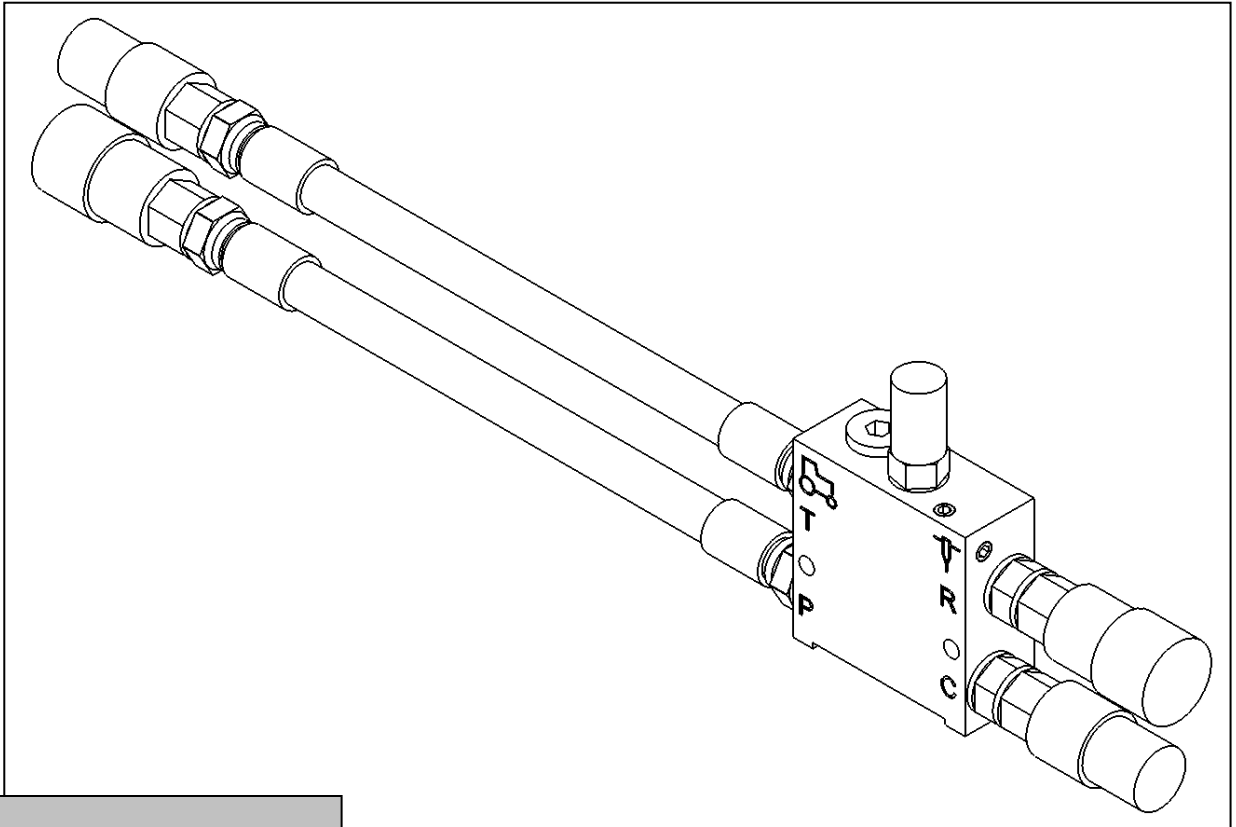


Operating Manual



Prior to Operation

We thank you for choosing a Rhino[®] oil flow divider.

We recommend you to study this operating manual carefully and pay special attention to the chapter about

Safety Precautions

We hope you will be satisfied with your new Rhino[®] oil flow divider.

Best regards
Rhino[®] Tool Co.

Rhino[®] HFD Oil Flow Divider

Revised 6/2016



Rhino Tool Company
620 Andrews Avenue
Kewanee, IL 61443

Tel: 309.853.5555(main)
Tel: 866.707.1808(toll-free)
Fax: 309.856.5905

info@rhinotool.com
www.rhinotools.com

Contents

	Page
Safety Precautions	2
Technical Data	3
Connection	4
Service and Maintenance	5
Oil Types	5
Warranty Terms	6

Safety Precautions

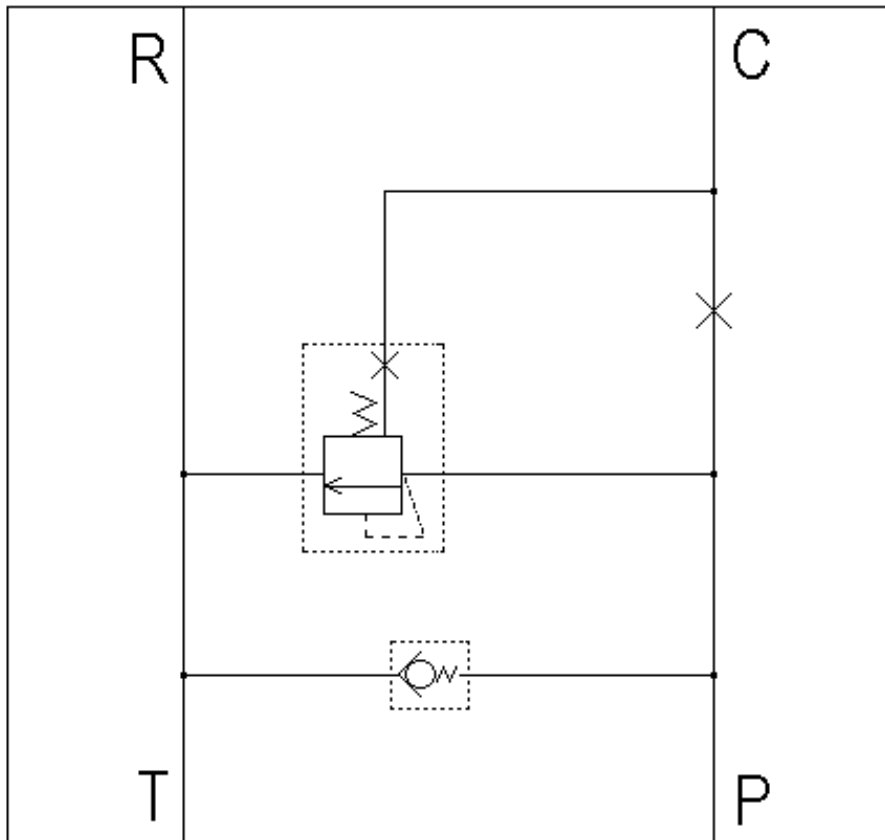
- A fine jet of oil at pressure can penetrate the skin. It is therefore important never to use your fingers to check for oil leaks and never to hold your face close to suspected leaks – use a piece of cardboard instead. If oil has penetrated the skin, you should get medical treatment immediately.
- Always use approved hoses - contact your dealer, if necessary. Mount the hoses correctly. See the chapter about "Connection".
- High oil temperature may result in the flow divider getting warmer than usual and the operator risks getting burnt or nit.
- To avoid all personal injury and damage to material, all repair, maintenance and service work must be carried out by authorized or properly trained persons only.

IMPORTANT

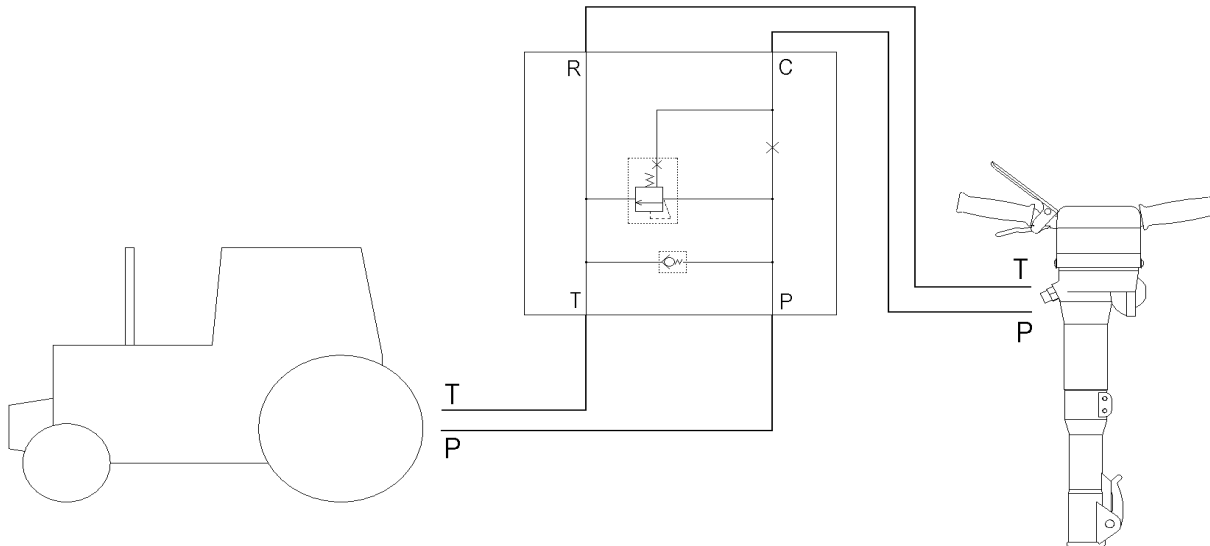
- Always use hoses, couplings and spares as such recommend by Rhino[®] Tool
- Repairs may only be carried out by experienced personnel.
- Make sure that all couplings are cleaned before connection.
- Always disconnect the hydraulic circuit before connecting or disconnecting the tool from the flow divider. If this is not done, there is a risk of damage to the quick release couplings or the hydraulic system getting superheated.

Technical Data

Pressure relief valve (power source)	Max. 3625 PSI
Oil flow (power source)	Max. 22 g.m.p. (80 l.p.m.)
Pressure relief valve	2320 PSI
Oil flow out	6, 8, or 10 g.p.m. (20, 30, or 40 l.p.m.) The oil flow is regulated by interchangeable nozzles Standard is 6 g.p.m. (20 l.p.m.)



Connection



The oil flow divider can be connected to various power sources, like excavators, trucks, loaders, tractors etc. The oil flow divider reduces the flow from these machines so that they can be used as power source for the Rhino® hydraulic tools, e.g. breakers.

If the oil flow divider is supplied with an oil flow much higher than used by the tool, the excessive oil will be transformed into heat. Therefore, never let the power source run with higher oil flow (number of revolutions) than necessary.

Connect the port marked P on the flow divider to the power source feed line and the port marked T on the flow divider to the power source return line.

The tool can then be connected to the oil flow divider.

Service and Maintenance

Service/Maintenance	Daily	Weekly	Yearly
Check couplings and clean carefully	X		
Check hoses	X		

Oil Types

Rhino® tools use standard hydraulic oil, i.e. all types of mineral oil and biodegradable oil, which comply with the following values:

Recommended viscosity	20-40 cSt
Permitted viscosity	15-1000 cSt
Viscosity index	Min. 100
Temperature area	-4° to +158° F

If using biodegradable oil, we recommend the use of oil based on rape. Other types of oil can be aggressive towards the seals. If you are in doubt, please ask your dealer.



General Warranty Conditions & Limitations on Liability

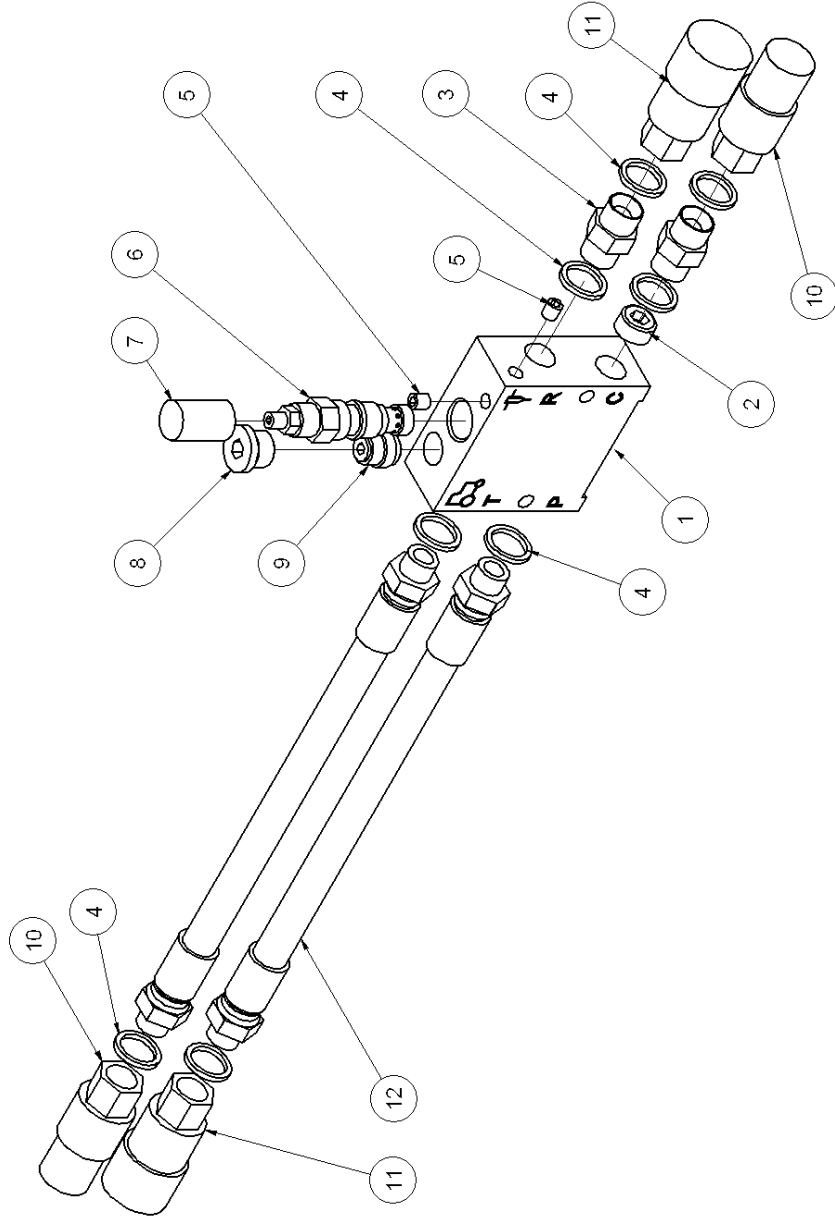
Rhino Tool Company, Inc. ("Rhino") warrants to the original purchaser, purchasing the Equipment in new condition, in original packaging from an authorized dealer that its Hydraulic Tool(s) will be free from defects in workmanship and materials (the "Limited Warranty"). The Limited Warranty shall survive for twelve (12) months with regard to all other components, excluding the Honda 13 HP engine and Vanguard 18 HP engine for which Rhino provides no warranty and for which the warranty is provided by American Honda Motor Co., Inc and by Briggs and Stratton Corporation respectively and the shall be the sole warranty applicable thereto. This Limited Warranty is non-transferable.

In the event of a warranty claim, the Hydraulic Tool(s) must be returned freight prepaid to Rhino or delivered in person to a Registered Rhino Servicing Dealer within the applicable warranty period with proof of original purchase provided. Rhino's obligation under this Limited Warranty is expressly limited to the repair or replacement, at Rhino's election, of such defective Hydraulic Tool(s), which is proved to be defective upon inspection by a Rhino-certified/authorized technician.

This Limited Warranty does not extend to a Hydraulic Tool(s) which has been subject to misuse, neglect, or accident, nor does it extend to any Hydraulic Tool(s) which has been repaired, altered, or serviced by unauthorized persons. This Limited Warranty does not cover any damage or adjustments required to any Hydraulic Tool(s) if such damage or adjustment is caused by the use of supplies, parts, or attachments not sold or approved by Rhino.

EXCEPT AS OTHERWISE PROVIDED HEREIN, RHINO DISCLAIMS ALL OTHER WARRANTIES, EXPRESS OR IMPLIED, INCLUDING, BUT NOT LIMITED TO THE IMPLIED WARRANTIES OF MERCHANTABILITY AND FITNESS FOR A PARTICULAR PURPOSE. UNDER NO CIRCUMSTANCES SHALL RHINO BE LIABLE FOR ANY LOSS OF BUSINESS, REVENUES, OR PROFIT OR OTHER INDIRECT, INCIDENTAL, SPECIAL OR CONSEQUENTIAL DAMAGES OR LOSS ARISING OUT OF ANY DEFECTS IN OR PERFORMANCE OF THE HYDRAULIC TOOL(S), HOWSOEVER CAUSED.

HFD oil flow divider spare parts list



Pos.	Part No.	Description	Pcs.
1	RT8231814	Aluminium block	1
2	RT8231817	Nozzle 20 l.p.m. / 5 g.p.m.	1
2	RT8231818	Nozzle 30 l.p.m. / 8 g.p.m.	1
2	RT8231819	Nozzle 40 l.p.m. / 10 g.p.m.	1
2	RT8232799	Nozzle 45 l.p.m. / 12 g.p.m.	1
3	RT7421063	Fitting 1/2"x1/2" BSP	2
4	RT7521072	Seal ring 1/2"	8
5	RT7621037	Pipe plug 1/8" Loctite 542	2
6	RT7431815	Regulating valve Incl. pos. 7. - 40 Nm	1
7	RT7431816	Protective cap	1
8	RT7621075	Threaded plug 1/2" w/seal	1
9	RT7421733	Check valve	1
10	RT7401141	Q.R. coupling 1/2" BSP male	2
11	RT7401142	Q.R. coupling 1/2" BSP female	2
12	RT8741090	Tailhose 1/2"	2

