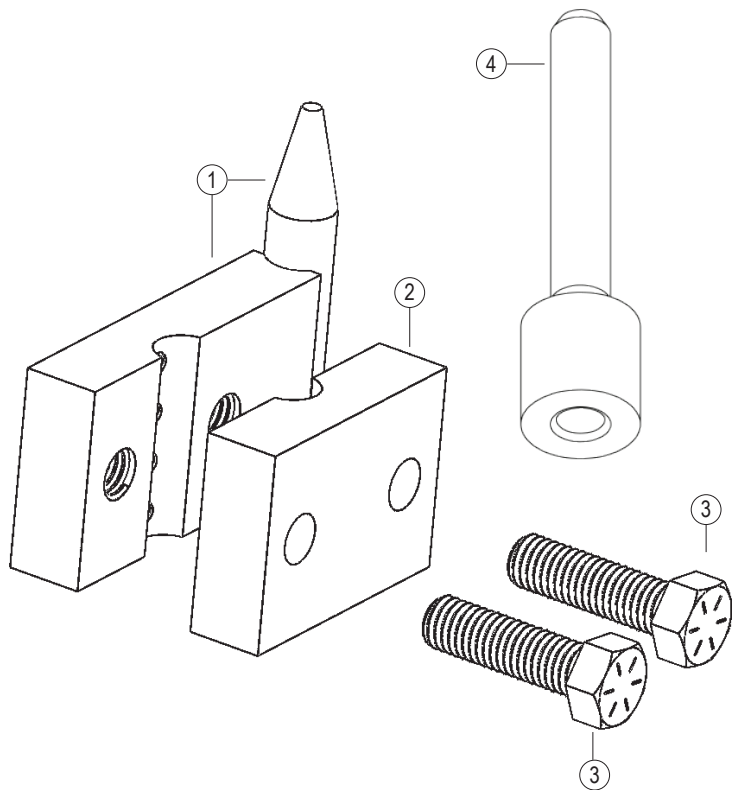


RHINO® GROUND ROD INSTALLATION TOOL PARTS



No.	P/N	Name
1	300945	Ground Rod Installation Tool Block (Large)
2	300946	Ground Rod Installation Tool Block (Small)
3	300952-4	1/2-13 x 1-3/4" Gr 8 Hex Cap Screw
		1/2-13 x 1-3/4" Gr 8 Black Oxide Socket Head Screw
4	300944	Ground Rod Installation Tool Drive Cap
	300951	Ground Rod Installation Tool Owner's Manual
	300940	Ground Rod Installation Kit (Tool and Drive Cap)
Accessories		
	300500	Rhino® Pro Series Lubricant
Bolt Torque Specifications		
3	300952-4	1/2-13 x 1-3/4" Gr 8 Hex Cap Screw – 105 ft/lbs (142 Nm)