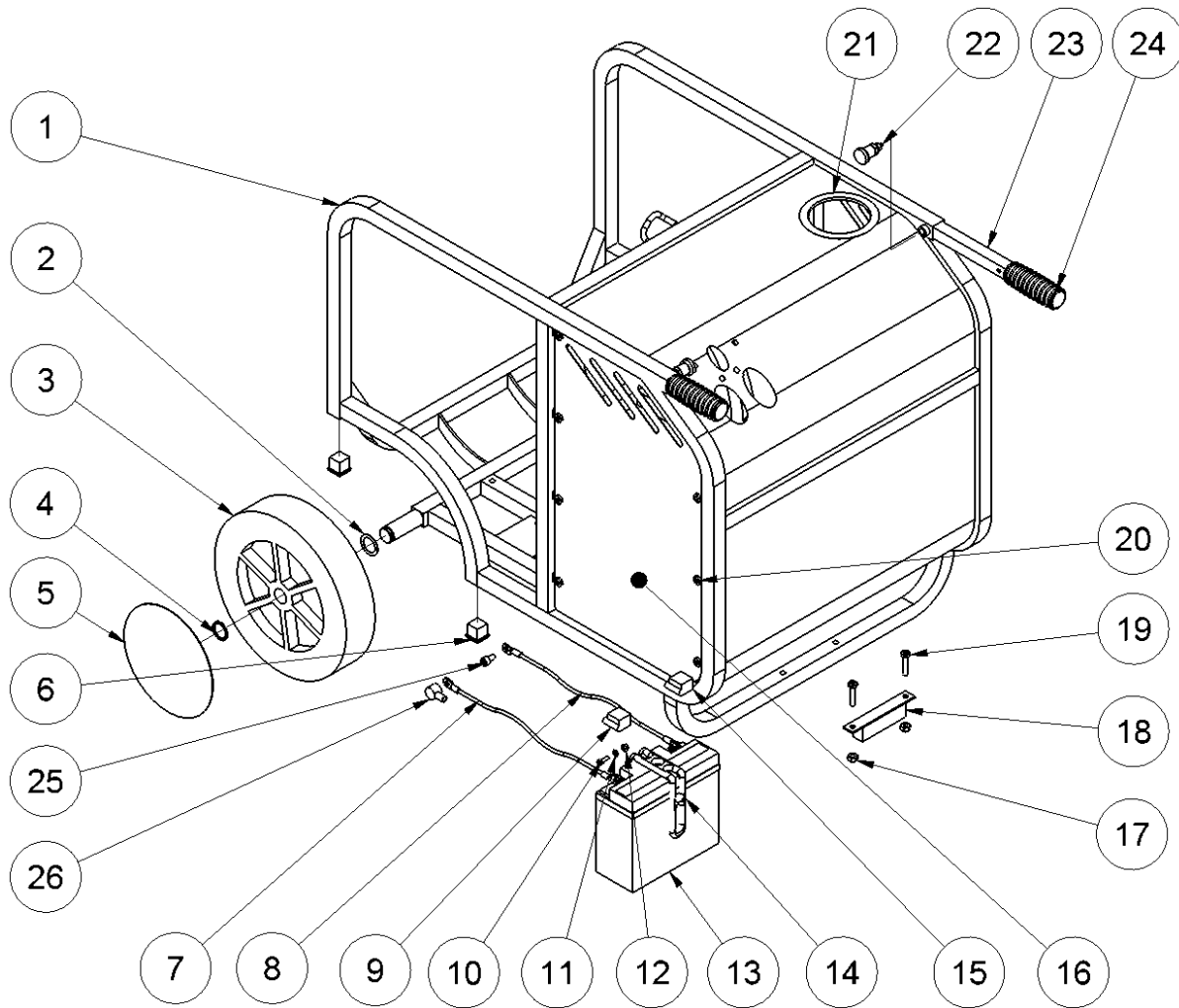


HPP18V FLEX spare parts list

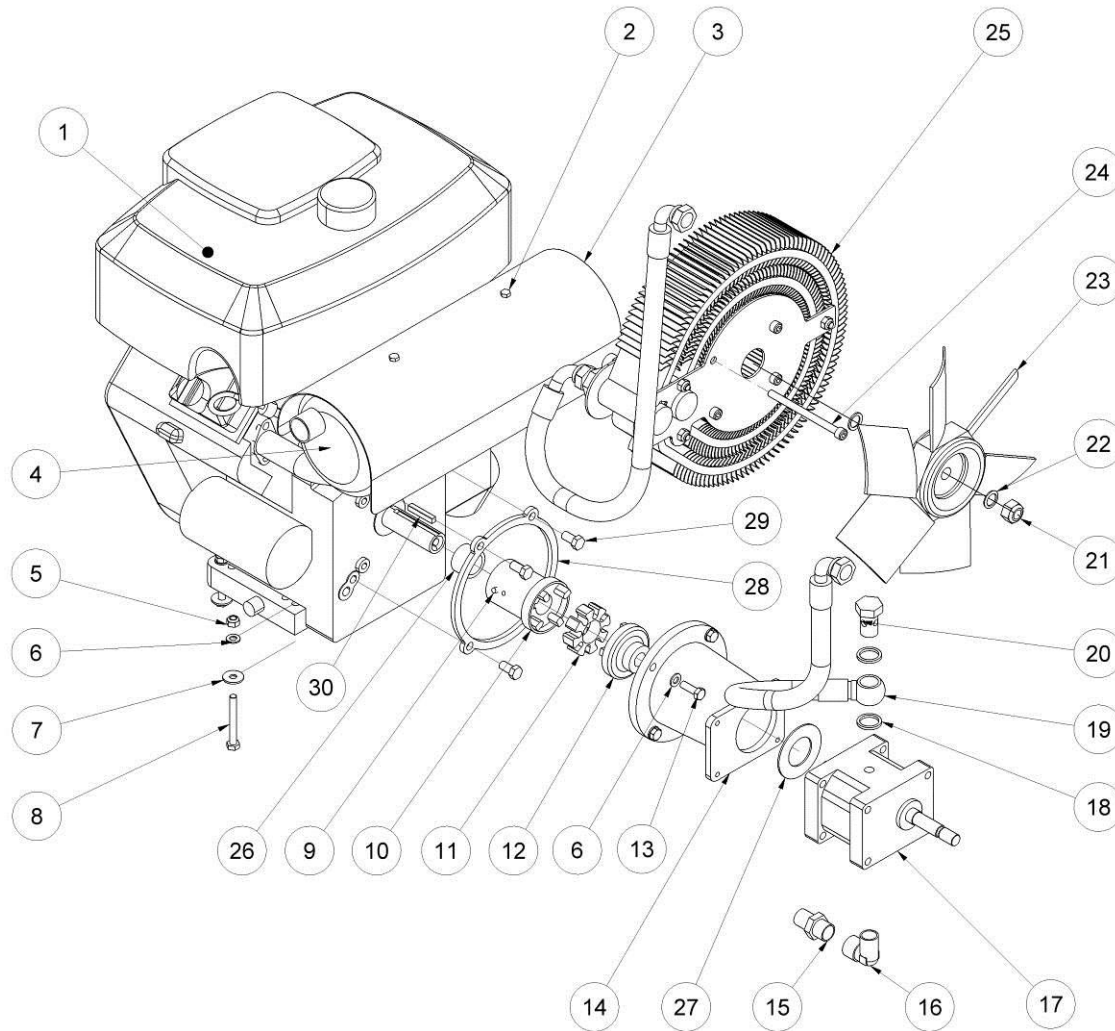
Fig. 1



Pos.	Part No.	Description	Pcs.
1	RT8221186	Chassis complete HPP18	1
2	RT7621100	Shim ring	2
3	RT7721139	Wheel HPP13/18	2
4	RT7621098	Retaining ring	2
5	RT7721140	Wheel cover	2
6	RT7721125	Tube Plug	4
7	RT9021564	Cable red w/cable terminal	1
8	RT9021565	Cable black w/cable terminal	1
9	RT7721196	Cover (battery)	1
10	-	Screw (incl. in RT7321194)	2
11	-	Washer (incl. in RT7321194)	2
12	-	Nut (incl. in RT7321194)	2
13	RT7321194	Battery 12V/17Amp	1
14	RT7721198	Rubber strap	1
15	RT7721195	Cover (battery)	1
16	RT8221187	Side cover set HPP18	1
17	RT7621010	Lock nut	2
18	RT8721095	Rubber foot	1
19	RT7621046	Screw	2
20	RT7621042	Screw	14
21	RT9021563	Rubber band	1
22	RT7721197	Bolt <i>Loctite 243</i>	2
23	RT9022430	Pull-out handle w/rubber grip	2
24	-	Rubber grip (incl. in RT9022430)	-
25	RT7631395	Screw	1
26	RT7721950	Cover (battery)	1

HPP18V FLEX spare parts list

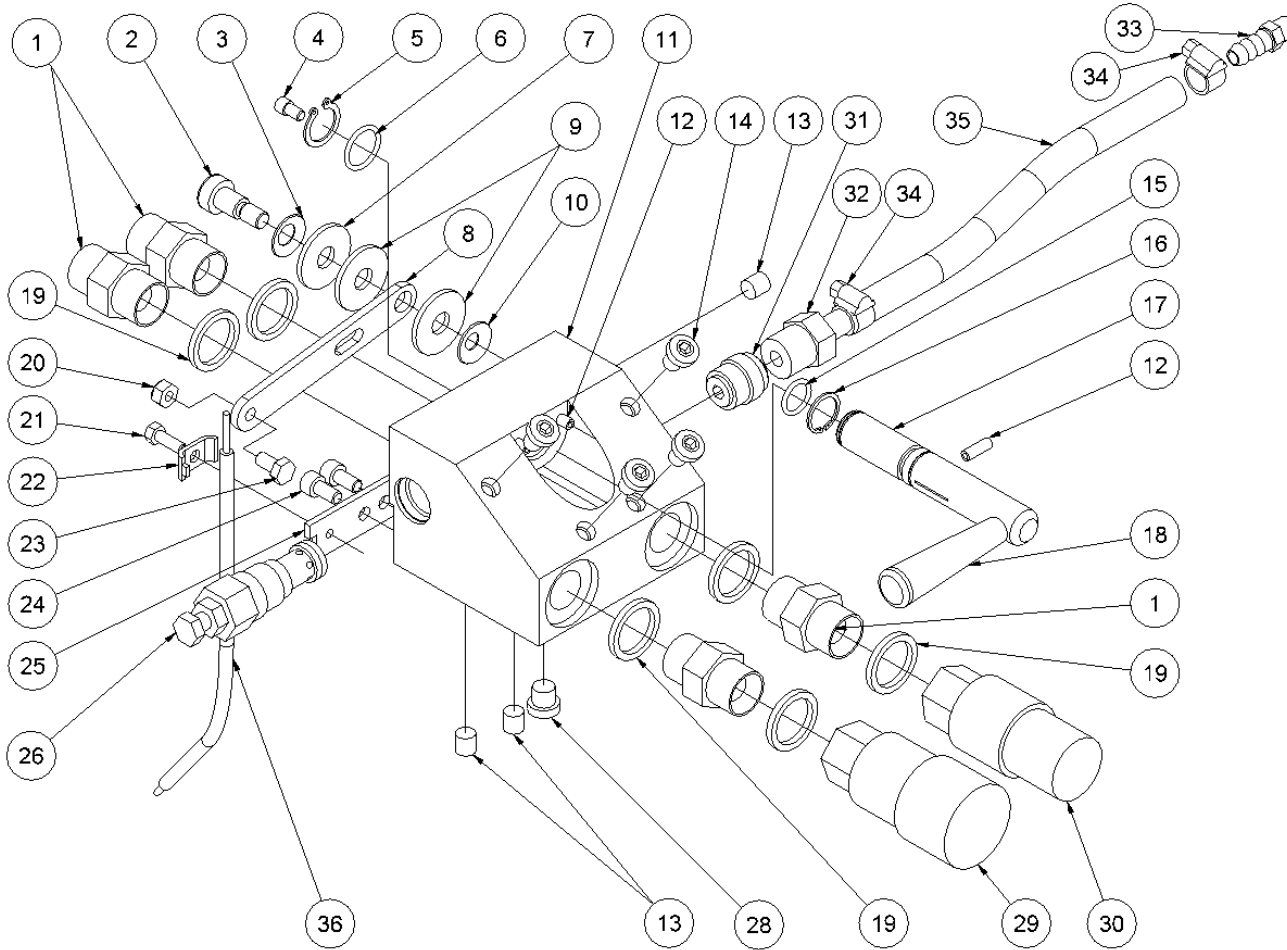
Fig. 2



Pos.	Part No.	Description	Pcs.
1	RT7321057	Engine 18 HP Vanguard	1
2	RT7621040	Screw	2
3	RT8221337	Exhaust cover	1
4	RT8221478	Exhaust	1
5	RT7621010	Lock nut	4
6	RT7621171	Washer	8
7	RT7621035	Washer	4
8	RT7621048	Screw	4
9	RT7621032	Set screw <i>Loctite 243 - 45 in/lbs</i>	1
10	RT7421066	Coupling engine part	1
11	RT7421083	Rubber coupling	1
12	RT7421067	Coupling pump <i>15 ft/lbs</i>	1
13	RT7621038	Screw <i>Loctite 243 - 15 ft/lbs</i>	4
14	RT9023068	Coupling housing Kit <i>Pos. 14,28,29</i>	1
15	RT7421080	Hose fitting <i>Loctite 542</i>	1
16	RT7421060	Angle nipple <i>Loctite 542</i>	1
17	RT7421016	Pump 12.5 ccm	1
-	RT9021667	Seal kit for hydraulic pump	1
18	RT7521072	Seal ring	2
19	RT8721312	Pressure hose	1
20	RT7421062	Banjo bolt <i>60 ft/lbs</i>	1
21	RT7621111	Nut <i>30 ft/lbs</i>	1
22	RT7621117	Spring washer	2
23	RT8321561	Fan	1
24	RT7621043	Screw <i>Loctite 243 - 11 ft/lbs</i>	4
25	RT2121103	Cooler complete <i>See fig. 6</i>	1
26	RT8221560	Distance piece	1
27	RT9922133	Centering washer	1
28	RT8223051	Guide ring <i>Incl. in RT9023068</i>	1
29	RT9931540	Screw <i>Incl. in RT9023068</i>	4
30	RT7621480	Shaft Key	1

HPP18V FLEX spare parts list

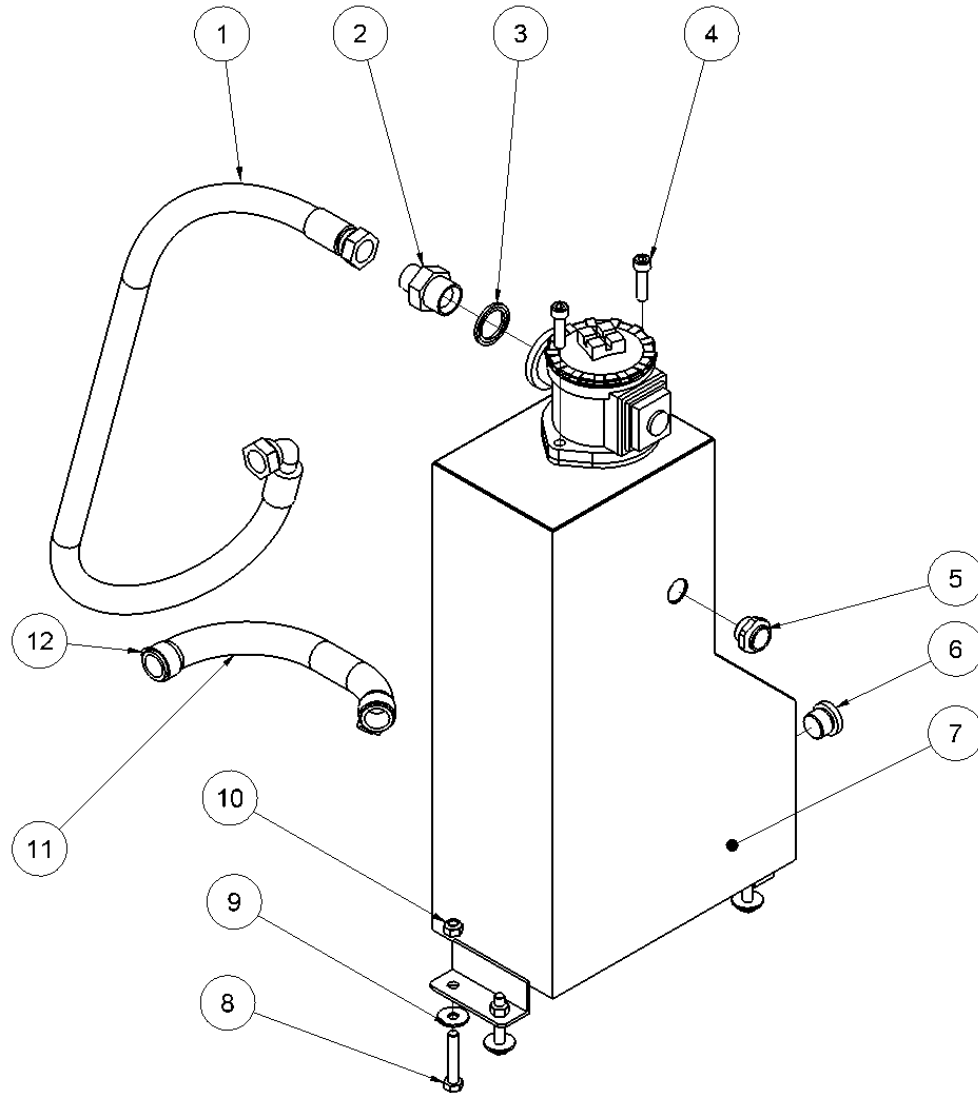
Fig. 3



Pos.	Part No.	Description	Pcs.
1	RT7421063	Fitting 1/2"x1/2" BSP	4
2	RT7621647	Shoulder bolt <i>Loctite 638 - 15 ft lbs</i>	1
3	RT7621648	Disc spring	1
4	RT8621658	Screw <i>Loctite 638</i>	1
5	RT7621606	Retaining ring	1
6	RT7521609	O-ring	1
7	RT7621809	Washer	1
8	RT8221650	Eccentric plate	1
9	RT7621649	Nylon washer	2
10	RT7621651	Disc spring	1
11	RT8221731	Valve block	1
12	RT7621050	Roll pin	3
13	RT7621037	Pipe plug <i>Loctite 542</i>	3
14	RT7621044	Screw	4
15	RT7521608	O-ring	1
16	RT7621607	Retaining ring	1
17	RT8221605	Spool	1
18	RT7721094	Lever ON/OFF <i>Loctite 243</i>	1
19	RT7521072	Seal ring	6
20	RT7621029	Nut	1
21	RT9921656	Screw	1
22	RT9921657	Cable clamp	1
23	RT8221652	Screw	1
24	RT7621653	Screw <i>Loctite 243</i>	2
25	RT8221655	Cable plate	1
26	RT7421587	Pressure relief valve <i>30 ft/lbs</i>	1
28	RT7621323	Threaded plug w/seal	1
29	RT7401142	Q.R. coupling 1/2" BSP female	1
30	RT7401141	Q.R. coupling 1/2" BSP male	1
31	RT7421733	Check valve	1
32	RT7421735	Hose fitting <i>Loctite 542</i>	1
33	RT7421734	Hose fitting <i>Loctite 542</i>	1
34	RT7421740	Hose clip 3/8"	2
35	RT9021739	Hose 3/8"	1
36	RT9022063	Throttle cable complete	1
-	RT2121742	Valve block complete HPP18V	1

HPP18V FLEX spare parts list

Fig. 4

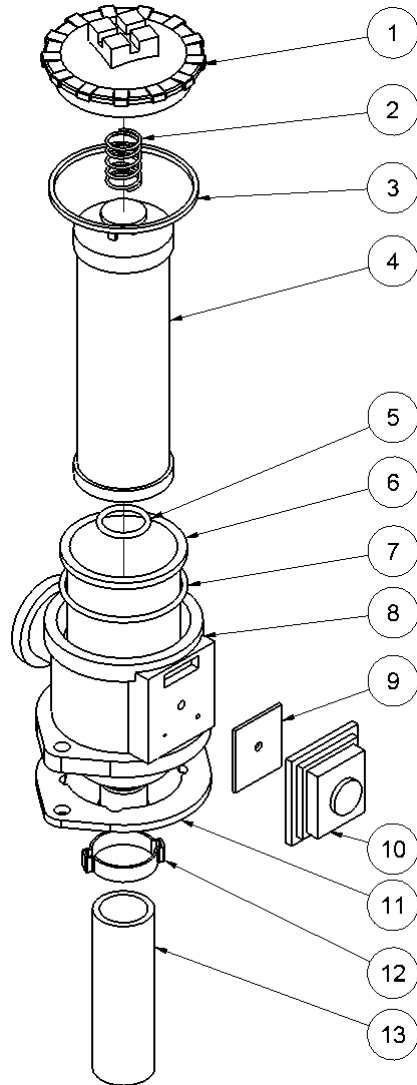


Pos.	Part No.	Description	Pcs.
1	RT8721583	Cooler pressure hose	1
2	RT7421582	Fitting 1/2"x3/4"	1
3	RT7521118	Seal ring	1
4	RT7621045	Screw <i>Loctite 243</i>	2
5	RT7721099	Sight glass w/seal	1
6	RT7621075	Threaded plug w/seal	1
7	RT8221325	Hydraulic tank HPP18	1
8	RT7621049	Screw	4
9	RT7621035	Washer	4
10	RT7621010	Lock nut	4
11	RT9021479	Suction hose	1
12	RT7421082	Hose clip 3/4"	2

HPP18V FLEX spare parts list

Fig. 5

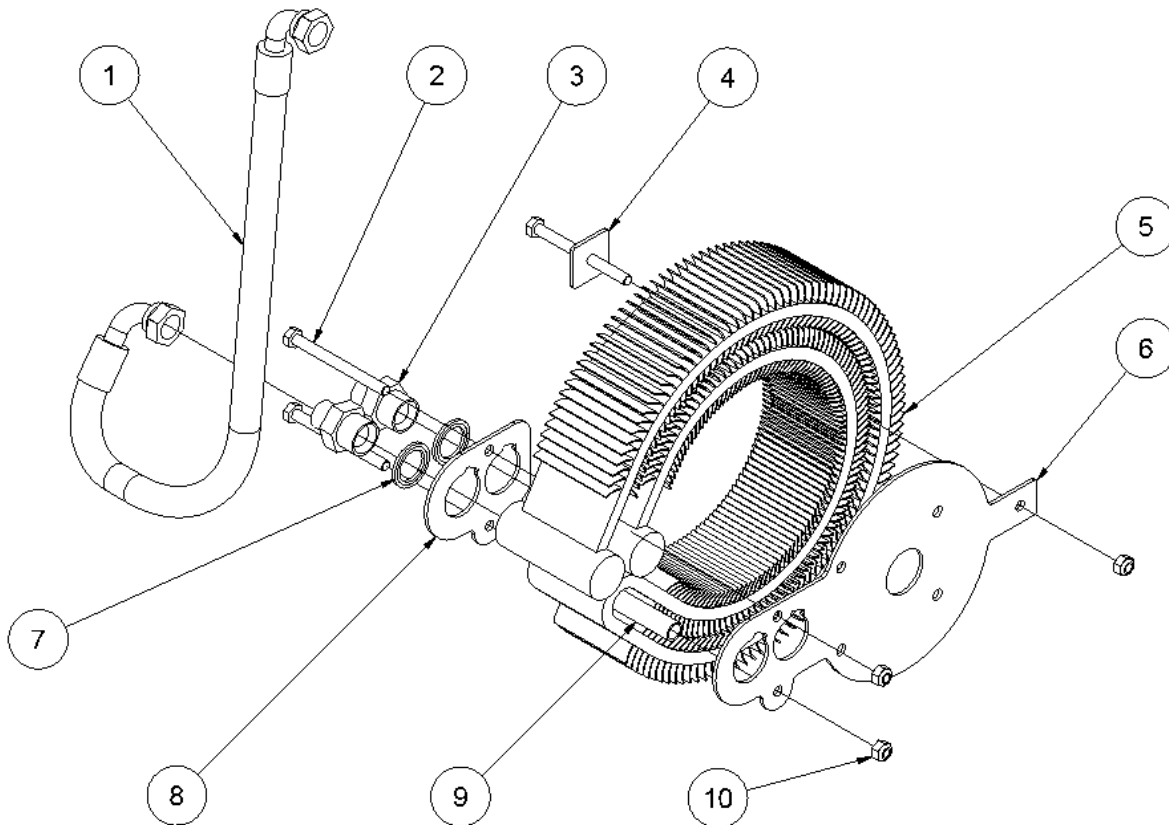
NEW TYPE



Pos.	Part No.	Description	Pcs.
1	RT9421189	Filter cover	1
2	RT9421193	Filter spring	1
3	RT9421502	Seal f/filter cover <i>Also included in RT9421188</i>	1
4	RT9421190	Filter element	1
5	-	O-ring <i>Included in RT9421188</i>	1
6	-	Filter cup	1
7	-	O-ring <i>Included in RT9421188</i>	1
8	-	Filter housing	1
9	RT9422041	Ventilation filter	1
10	RT9422042	Cover f/ventilation filter	1
11	-	Seal <i>Included in RT9421188</i>	1
12	RT7621789	Hose clamp	1
13	RT9022043	Filter hose	1
-	RT9421188	Seal kit filter <i>Pos. 3, 5, 7 and 11</i>	1
-	RT8421092	Filter complete Pos. 1-13	1

HPP18V FLEX spare parts list

Fig. 6



Pos.	Part No.	Description	Pcs.
1	RT8721584	Cooler pressure hose	1
2	RT7621047	Screw	3
3	RT7421582	Fitting	2
4	RT8221121	Plate	1
5	RT8321093	Cooler	1
6	RT8221112	Bracket for cooler	1
7	RT7521118	Seal ring	2
8	RT8221116	Plate	1
9	RT8221086	Distance pipe	1
10	RT7621010	Lock nut	3
-	RT2121103	Cooler complete <i>Pos. 2, 4, 5, 6, 8, 9, 10</i>	1