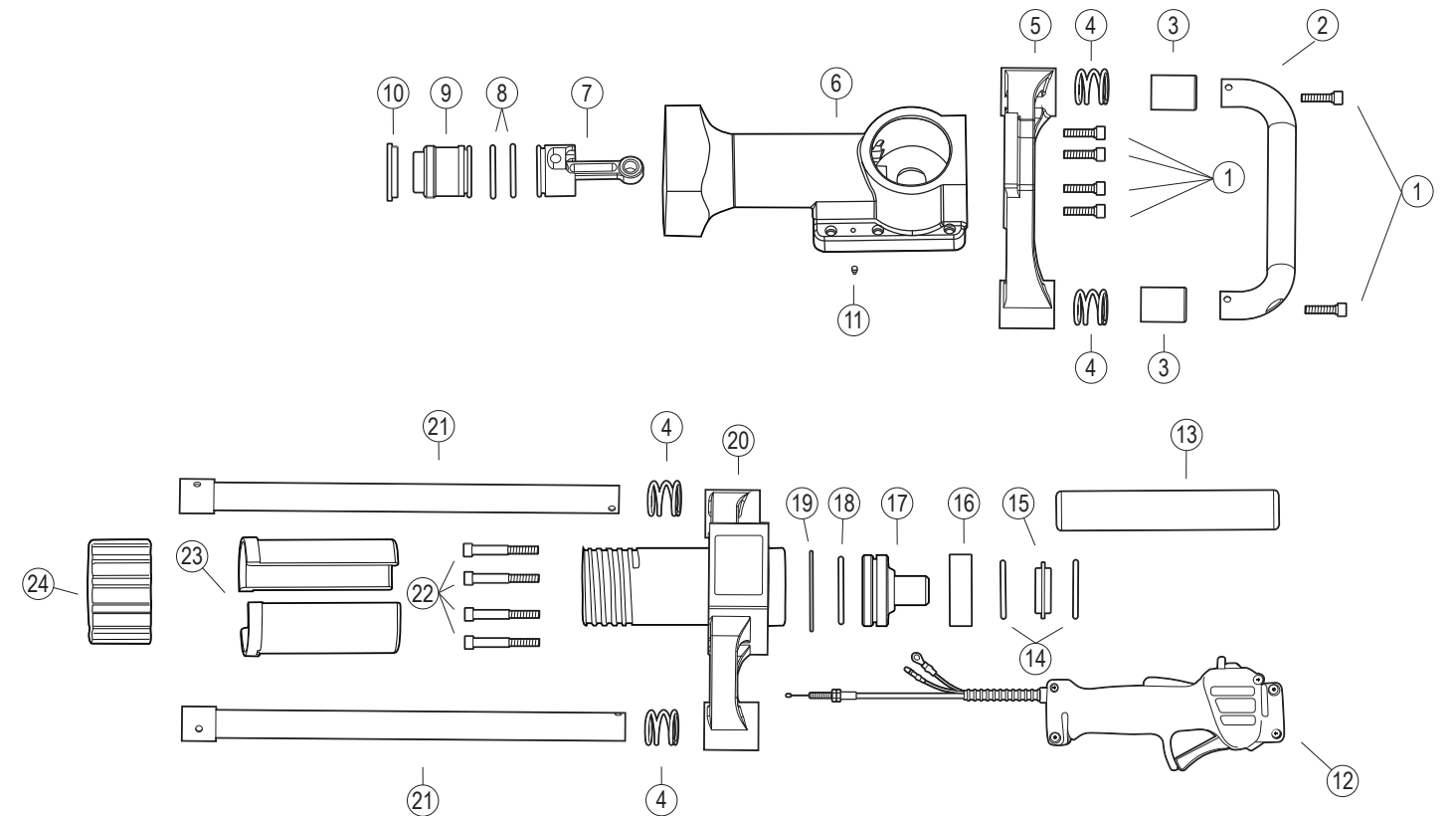




Rhino® Fence-Pro™ Service Kit Installation

Rhino® Fence-Pro™ Standard Configuration



1: Loosen the two 5/32" bolts on the Throttle (#12). Do Not Remove Them.

2: Mark the top side of the Handle Collars (#3) with a black marker or alike as they are specific on the direction they are installed. Using a 1/4" Hex Wrench, remove the two 5/16" bolts (#1) recessed in the Top Handle Assembly (#2). **Caution as the Handle Collars (#3) are under tension from the Handle Springs (#4).** Set aside.

3: Using a 1/4" Hex Wrench, remove the four 5/16" bolts (#22) from the lower body (#20). Take down the Lower Body with both Side Handles (#21). Remove the Throttle (#12) from the Side Handle.

4: Discard the used Chuck Tube O-Ring (#19).

5: Extract the Anvil O-ring Cup (#16) and its components; Large Retainer (#15) and Large Retainer O-rings (#14) from the Lower Body (#20). This can be done by pushing a 1" dowel rod or hammer handle into the chuck tube from the opposite side. Note order of assembly. Inspect for damage.

6: Remove the Anvil (#17) from the Chuck Tube in the Lower Body (#20). Inspect for damage. Remove the Anvil O-ring (#18) and discard. Lubricate the Anvil's O-ring groove with the lubricant supplied with the kit and install the new Anvil O-ring, reseal the Anvil into the Chuck Tube.

Rhino Tool Company, Inc.

P.O. Box 111
Kewanee, IL 61443

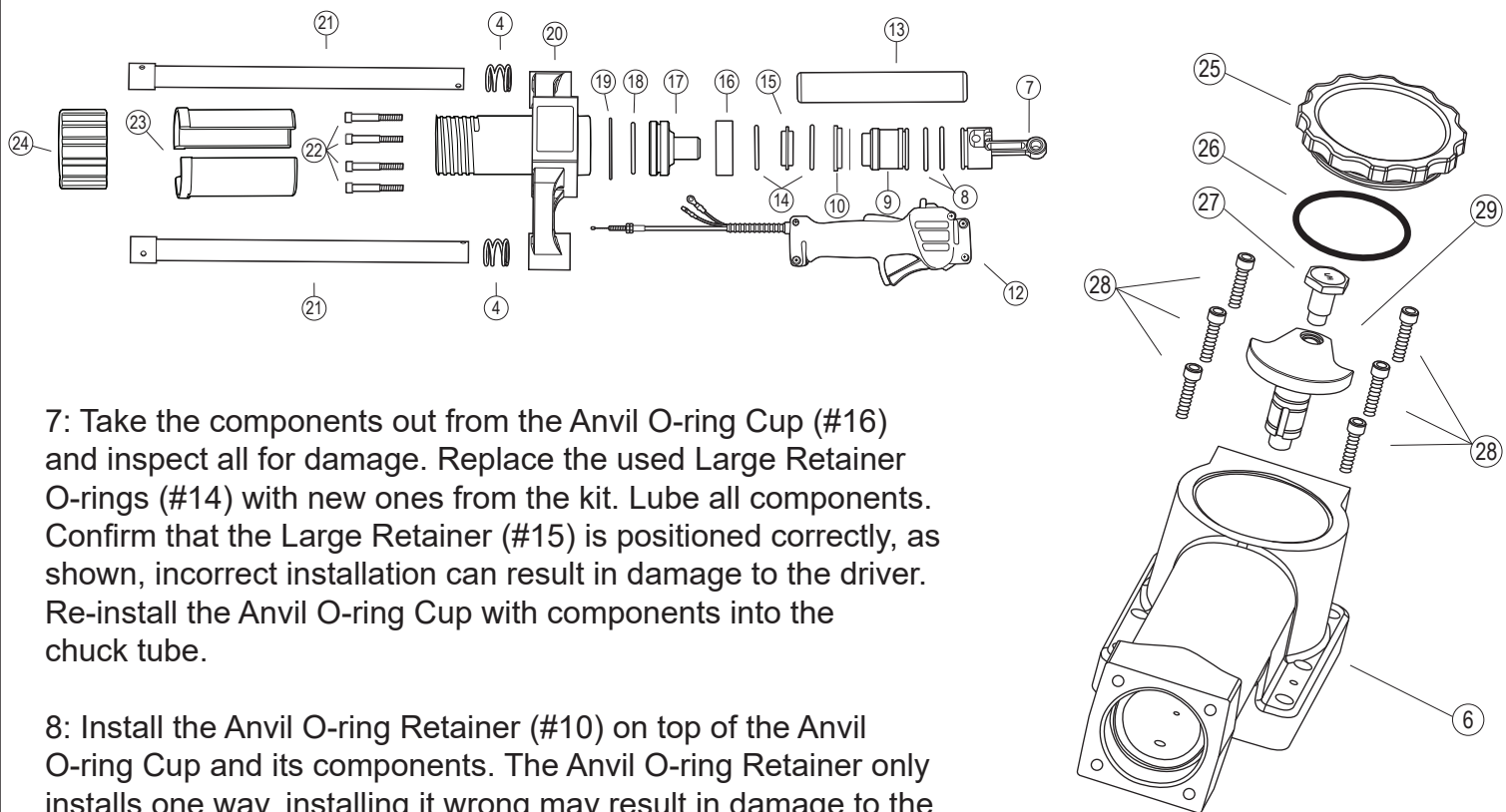
Please visit:
www.rhinotool.com to find your nearest
servicing Rhino Dealer

300815.11.2.17





Rhino® Fence Pro™ Service Kit Installation

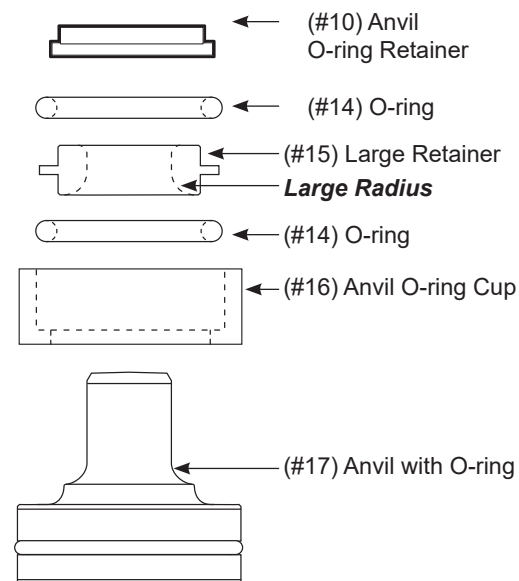


7: Take the components out from the Anvil O-ring Cup (#16) and inspect all for damage. Replace the used Large Retainer O-rings (#14) with new ones from the kit. Lube all components. Confirm that the Large Retainer (#15) is positioned correctly, as shown, incorrect installation can result in damage to the driver. Re-install the Anvil O-ring Cup with components into the chuck tube.

8: Install the Anvil O-ring Retainer (#10) on top of the Anvil O-ring Cup and its components. The Anvil O-ring Retainer only installs one way, installing it wrong may result in damage to the driver. Set aside the Lower Body (#20), all parts attached, and focus on the Body Assembly (#2)

9: Remove the Crankcase Cover (#25) and discard Crankcase Cover O-ring (#26). Lube and install the new Crankcase Cover O-ring from the kit. Set aside.

10: With a black marker, or alike, mark the Piston Assembly (#7). Re-install it facing in the same direction when assembling to maintain the original wear pattern. Note that the Crank Pin (#27) is left hand thread. Use a 7/8 deep-well socket to remove the Crank Pin. Inspect the Crank Pin and threads for damage as well as the Crank Shaft (#29) threads. Extract the Piston Assembly and Hammer (#9) from the Body Assembly (#6) and remove the O-rings and discard. Inspect the Self Lubricating Bronze Sleeve Bearing in the Connecting Rod of the Piston Assembly and check either for wear or out of roundness. Piston Assembly is only available as a complete assembly. Lube the Hammer and Piston Assembly O-ring groove and install one of the Piston/Hammer O-rings (#8) from the kit on each. Set aside.



Insert O-ring into Anvil O-ring Cup, then insert Large Retainer (with large radius at bottom towards the anvil), then insert other O-ring.



Rhino® Fence Pro™ Service Kit Installation

11: Clean all lubricant from the Crank Pin (#27) and lay on a shop towel along with the four Lower Body Bolts (#22) and two Handle Bolts (#1). Including the Crankshaft (#29) and Side Handle Assembly's (#21) spray all threads with Loctite N 7649 Primer and let dry.

12: Clean out all lubricant from the Body Assembly (#6). Install Piston Assembly (#7) with the connecting rod facing the top of the driver and mark made in Step 10 facing outward. Locate the Self Lubricating Bronze Sleeve Bearing in the Connecting Rod of the Piston Assembly and align it with the threads in the Crank Shaft (#29). Apply Loctite 243 Threadlocker to the Crank Pin Threads and install it through the connecting rod of the piston assembly. Crank Pin has left hand threads. Torque to 360 in/lbs. Install Hammer (#9) with the Hammer O-ring (#8) towards the top of the driver.

13: Obtain the Lower Body Assembly from Step 7. Place the Chuck Tube O-ring (#19) on top. Apply Loctite 243 Threadlocker to the four Lower Body Bolts (#22). Install the Throttle (#12) on the Side Handle Assembly (#21). Install the Lower Body Assembly on the Body Assembly (#6) and torque to 251 in/lbs. Place the top of both side handle assemblies (#21) through the top handle bracket (#2) and slide the throttle to its lowest point and tighten the upper 5/32" HEX bolt used to hold the Handles in their most up position. Make sure the handle springs (#4) are installed in the top handle bracket.

14: Install the handle collars (#3) with the mark made in Step 4 in the up position. Insert both handle bolts (#1) into the Top Handle Assembly (#2) so that the threads are exposed. Apply Loctite 243 Threadlocker to the bolt threads and install the Top Handle Assembly on to the Handle Collars. Apply downward force to compress the Handle Springs (#4) and torque the Handle Bolts to 132in/lbs.

15: Hand tighten the Chuck-Lok Locking Nut (#24) onto the Master Chuck (#20). Fill the crankcase with one tub of lubricant from the kit. With a 7/8" Deep-well Socket spin the Crank Pin (#27) counter-clockwise feeling for any binding on the Piston Assembly (#7). Locate Crankcase Cover (#25) with Crankcase Cover O-ring (#26) from Step 7 and install. **Hand tighten only.**



Fence Pro Service Kit Part No. 301508:
(#8) O-Ring Seal for Piston and Hammer (2)
(#26) O-Ring Seal for Pro-Series Crankcase Cover
(#14) Large Retainer O-Ring Seal (2)
(#18) Anvil O-Ring Seal
(#19) Chuck Tube or Sleeve O-Ring Seal
Rhino Pro-Series Lubricant (2)

For more information on installing the Fence Pro Service Kit, visit www.rhinotool.com.